

 DELTALIGHT®

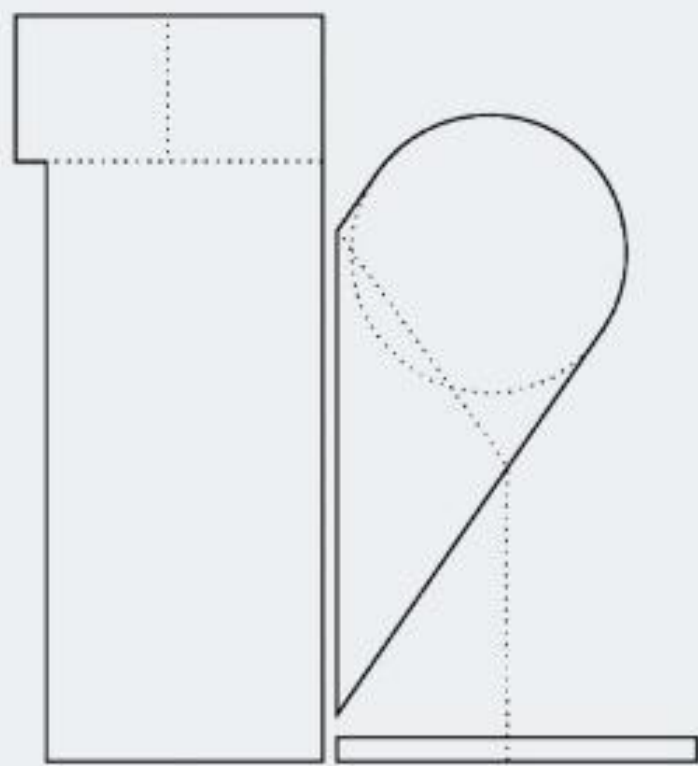
pure lighting **pleasure.**

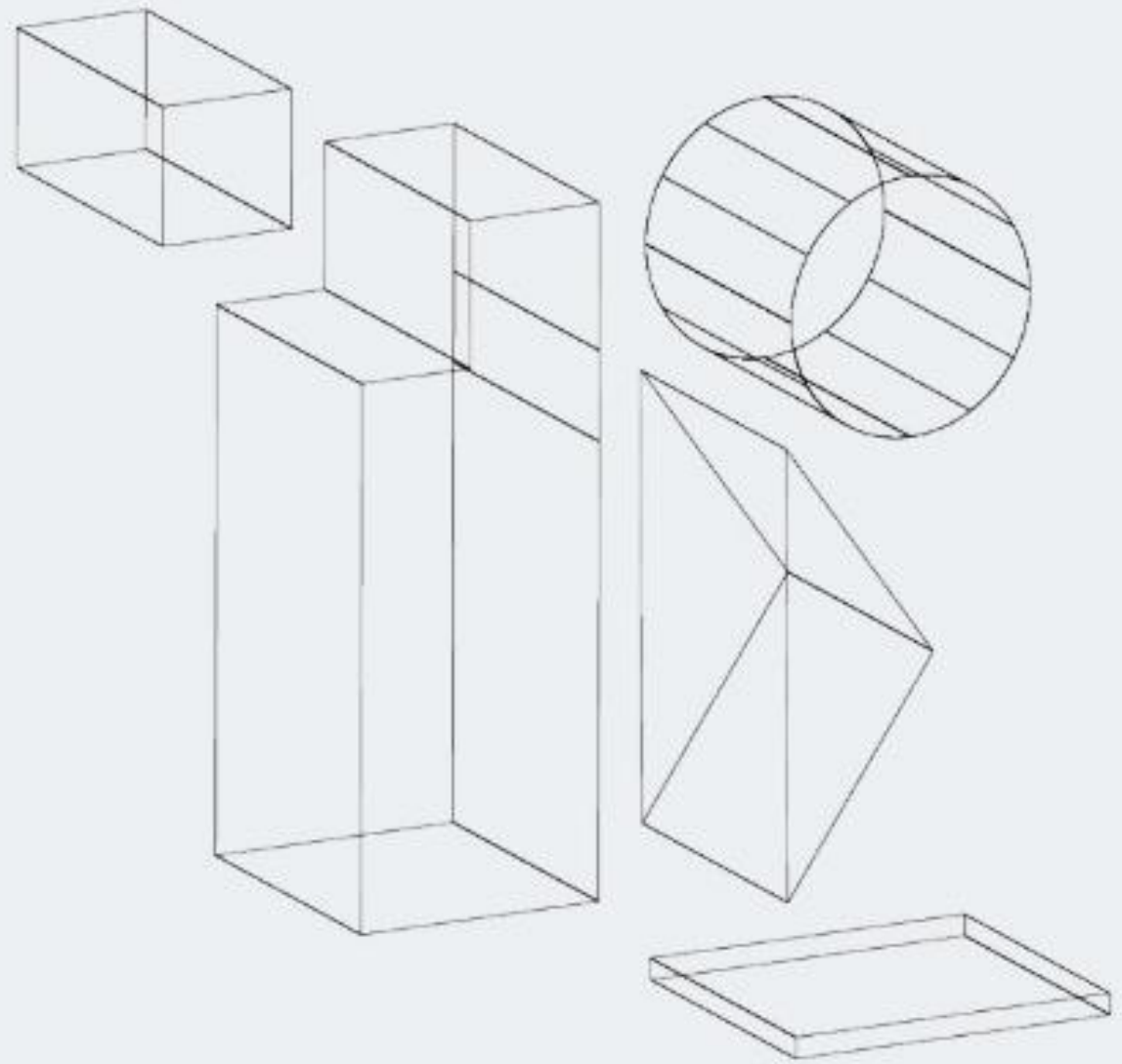
FORM

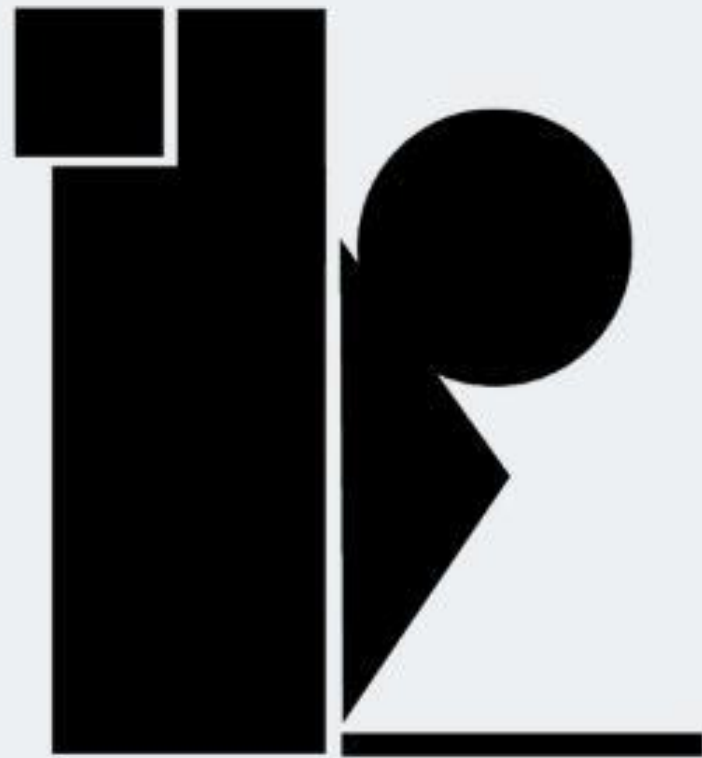
12

12











DELTA LIGHT

DELTA LIGHT

COLOUR
FAUX NOIR

 DELTALIGHT®

COLOUR FAUX NOIR

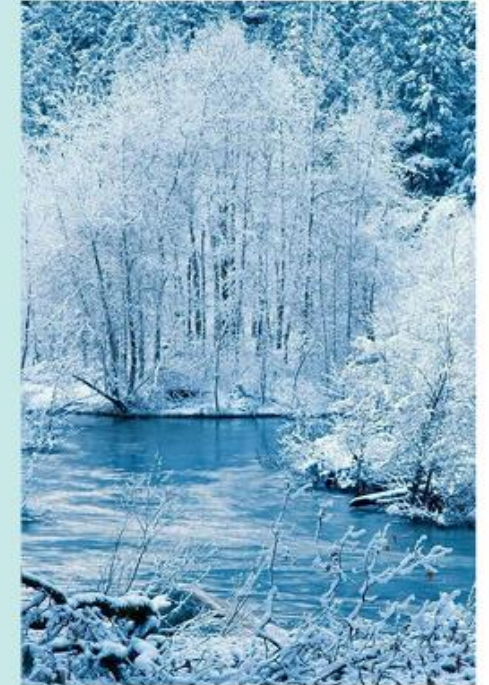


COLOUR

MORNING AIR

COLOUR

MORNING AIR



COLOUR
SCARLET

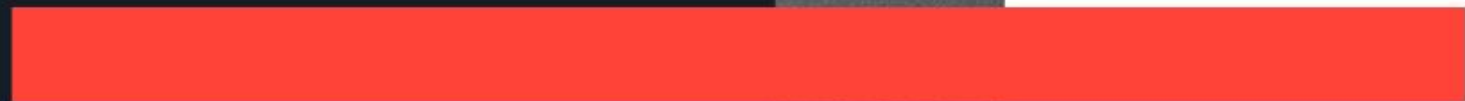
 DELTALIGHT®

COLOUR SCARLET



COLOUR COMBINATION

DELTA LIGHT®



COLOUR COMBINATION



GERHARD RICHTER - 1999

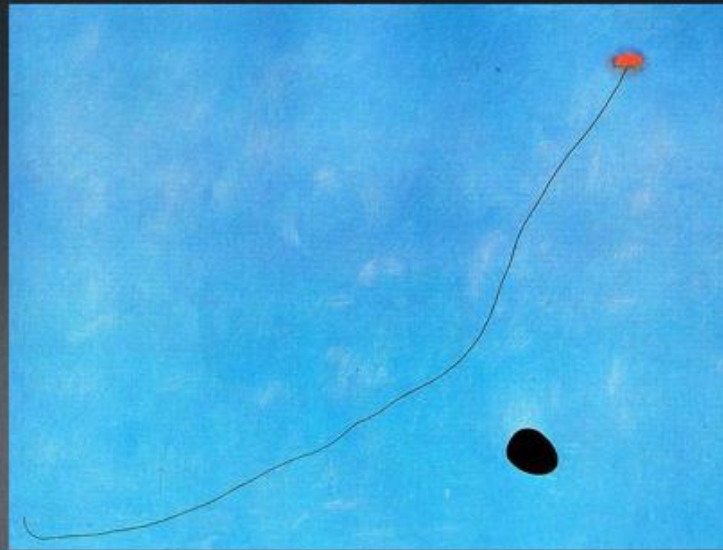


PAUL KLEE - 1921



EMIL NOLDE - 1910

COLOUR COMBINATION



JOAN MIRÓ - 1961



JOSEPH L BATES - 1859



ROBERT MOTHERWELL - 1967

 DELTALIGHT®

LIGHTING BIBLE ORGANIZATION



FIXATION FLOOR - WALL -
CEILING SURFACE MOUNTED



FIXATION FLOOR - WALL -
CEILING RECESSED



FIXATION CEILING
SUSPENDED

USEFUL ABBREVIATIONS

- | | |
|-----------|------------------|
| ST | • Small Trim |
| D | • Deep |
| SC | • Soft Ceiling |
| OK | • Adjustable |
| GT | • Glass Trim |
| X | • Exterior |
| HP | • High Power |
| SI | • Snap-In Module |

ROUGH-IN REQUIREMENTS

HOUSING FOR IC AND/OR AIRTIGHT APPLICATIONS

RANGE		INSTALLATION TYPE		POWER & DIMMING		VOLTAGE		MOUNTING OPTION		
A	B	C1	C2	D	E1	E2				
6	202	7		IC/NIC AT HOUSING S	43 12W 500mA 1-10V DIM*	65	3	120-277V	1	BAR HANGERS STANDARD
					62 12W 500mA MAINS DIM (FE)		1	120V		
					72 19W 500mA LUTRON ECO DIM**		3	120-277V		

PLASTERFRAME FOR NON-IC APPLICATIONS

RANGE		INSTALLATION TYPE		POWER & DIMMING		VOLTAGE		MOUNTING OPTION		
A	B	C1	C2	D	E1	E2				
6	202	01		NIC PLASTERFRAME S	43 12W 500mA 1-10V DIM*	65	1	120V	1	BAR HANGERS STANDARD
					62 12W 500mA MAINS DIM (FE)		2	277V		
					72 19W 500mA LUTRON ECO DIM**		1	120V		
					72 19W 500mA LUTRON ECO DIM**		2	277V		

REMODEL NON-IC APPLICATIONS

RANGE		INSTALLATION TYPE		POWER & DIMMING		VOLTAGE		SPACINGS		
A	B	C1	C2	D	E1	E2				
6	202	9		NIC-REMODEL	19 12W 500mA MAINS DIM (FE)	99	1	120V	1	STANDARD SPACING
					20 25W 500mA 1-10V DIM*		1	120V		
					20 25W 500mA 1-10V DIM*		2	277V		
					21 25W 700mA MAINS DIM (FE)		1	120V		
					69 25W 700mA 1-10V DIM*		2	277V	2	MARKED SPACING
					69 25W 700mA 1-10V DIM*		1	120V		

1% DIMMING ON REQUEST
 *DIM10: DIMMING BY LUTRON - HI LUME 1% ECO SYSTEM / 3-WIRE DIMMING
 **CONSULT FACTORY FOR OTHER DIMMING / 347V



TWEETER TRIMLESS

0.41m
1.61"
152mm
6"
202mm
8"

Ⓜ KIT x 4"

CRI > 90

TWEETER TRIMLESS

3000K	LED [H] 10.4W / 1100lm / 500mA	6 206 21 811 952 ⌀	⌀ = B-W / W-W
3000K	LED [H] 10.4W / 1079lm / 500mA	6 206 21 811 953 ⌀	⌀ = B-W / W-W
3000K	LED [H] 10.4W / 1030lm / 500mA	6 206 21 811 932 ⌀	⌀ = B-W / W-W
3000K	LED [H] 10.4W / 1030lm / 500mA	6 206 21 811 933 ⌀	⌀ = B-W / W-W
3000K	LED [H] 10.4W / 1030lm / 500mA	6 206 21 811 922 ⌀	⌀ = B-W / W-W
3000K	LED [H] 10.4W / 1030lm / 500mA	6 206 21 811 923 ⌀	⌀ = B-W / W-W

ADJUSTABLE 0-45° / 355°
 [LS] IP20 DAMP
REQUIREMENTS
 ROUGH-IN
 ACCESSORIES
 TWEETER CLIP +
 HONEYCOMB / LENS / GLASS

play.diallight.com/tweeter
 play.diallight.com/ies

PATENTED EX-CENTRIC ROTATION SYSTEM®

CATALOG LAYOUT

LB11

LB12

98 x 75 max.22

	CRI > 80	CRI > 90
4000K	ON REQUEST	
3000K	680lm (7W) 958lm (10W)	566lm (7W) 803lm (10W)
REFLECTOR FL-33°	OREO 3033 S1 ◇ 206 06 28122 ◇ ◇ = W	OREO 3033-9 S1 ◇ 206 06 29122 ◇ ◇ = W
2700K	618lm (7W) 876lm (10W)	525lm (7W) 742lm (10W)
REFLECTOR FL-33°	OREO 2733 S1 ◇ 206 06 28123 ◇ ◇ = W	OREO 2733-9 S1 ◇ 206 06 29123 ◇ ◇ = W

FIXED
INCL. 1 x POWERLED WHITE [I] 7-10W
EXCL. LED POWER SUPPLY 350-500mA-DC

OPTIONS
PLASTERKIT 170
LED POWER SUPPLY 350-500mA-DC / DIM

98 x 75 / max.22

CRI > 90	OREO
3000K	LED [H] 7,1W / 774lm / 350mA LED [H] 10,4W / 1075lm / 500mA
	206 06 811 932 ◇ ◇ = W
2700K	LED [H] 7,1W / 743lm / 350mA LED [H] 10,4W / 1032lm / 500mA
	206 06 811 922 ◇ ◇ = W

NON ADJUSTABLE

OPTIONS
PLASTERKIT 170
LED POWER SUPPLY 350-500mA-DC / DIM

OTHER CRI OR KELVIN ON REQUEST

LB12

IN NUMBERS

THE
LIGHTING
BIBLE



NUMBER OF PAGES

772

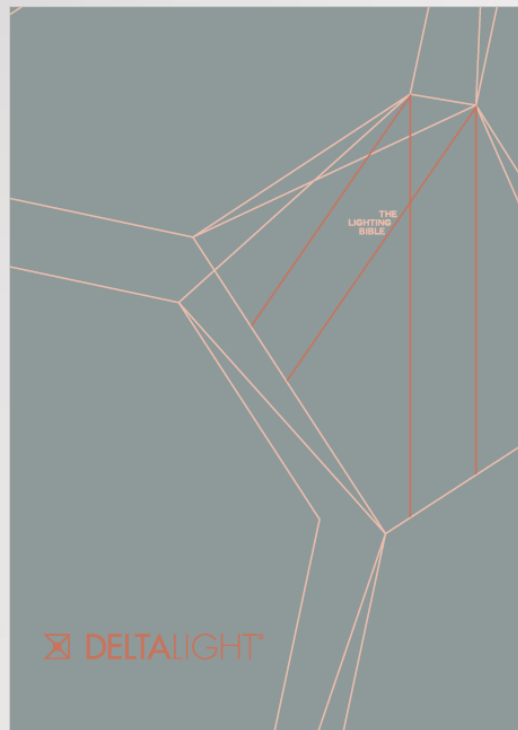
PRODUCT REFERENCES

3968

NEW PRODUCT REFERENCES

3029

Led Types in Lighting Bible 12

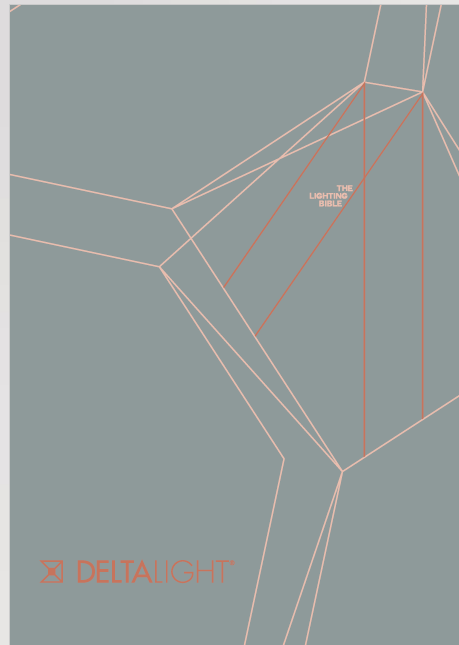


CRI > 80
+
CRI > 90
+
CRI > 95 (Xicato)



CRI > 90
+
CRI > 95 (Xicato)
Exceptions :
- Track : CRI > 80 + CRI > 90
- LED A, B and C : CRI > 80

Led Types in Lighting Bible 12



LED D (69lm/w)

LED D : Upgrade
(92lm/w)

LED E

LED E : New LED

LED H (89lm/w)

LED H : Upgrade
(116lm/w)

LED I

LED I : New LED

LED J (96lm/w)

LED J : Upgrade
(122lm/w)

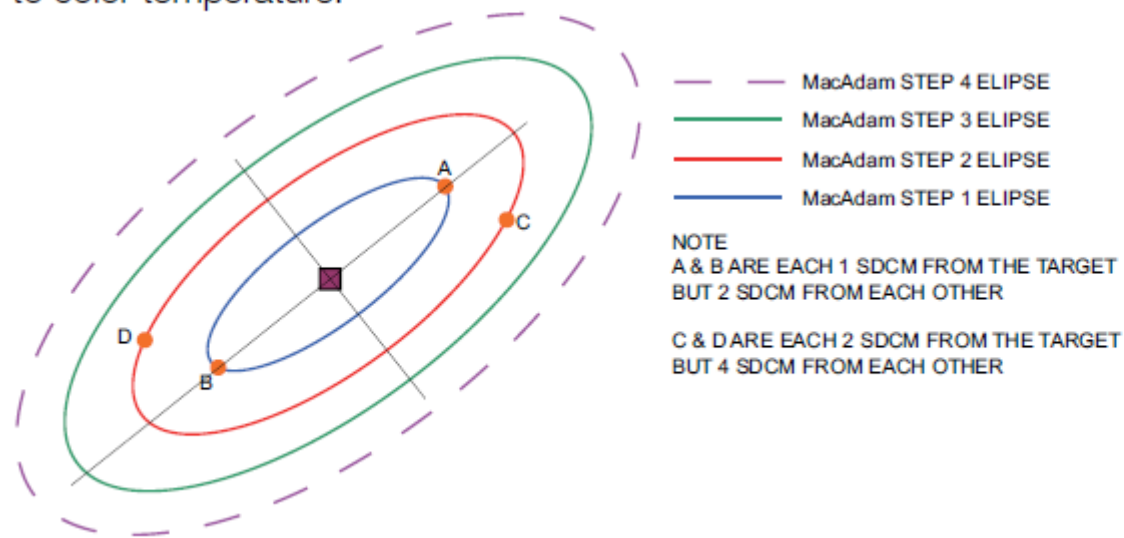
+ 30%

COLOR BINNING TYPICAL VALUES ON PAGE TEC 10-11

No two LEDs are the same. When LEDs are produced, they vary in light output and in color temperature, even when they are produced in the same batch. These differences may be small, but they do influence the quality of the LED. That is why manufacturers sort the LEDs, according to these performances, in different 'bins'. By reducing the number of bins to choose from, quality increases as performances are closer to each other.

MACADAM STEP TYPICAL VALUES ON PAGE TEC 10-11

The differences in color temperature between LEDs can be measured by looking at the MacAdam ellipses in Standard Deviation of Color Matching (SDCM), according to the CIE 1931 Standard. This system looks at the ability of the human eye to perceive color differences and ranks it on a scale from 0 to 10. Within 1 MacAdam ellipse a color difference is not noticeable to the human eye under any condition. From 1 to 3 ellipses it is very difficult for the human eye to notice any difference in color, meaning that up to 3 MacAdam ellipses all LEDs are very homogeneous when it comes to color temperature.





INTERIOR LIGHTING

Soft Dim

Warm glow LED dimming

Soft Start & Glow Out

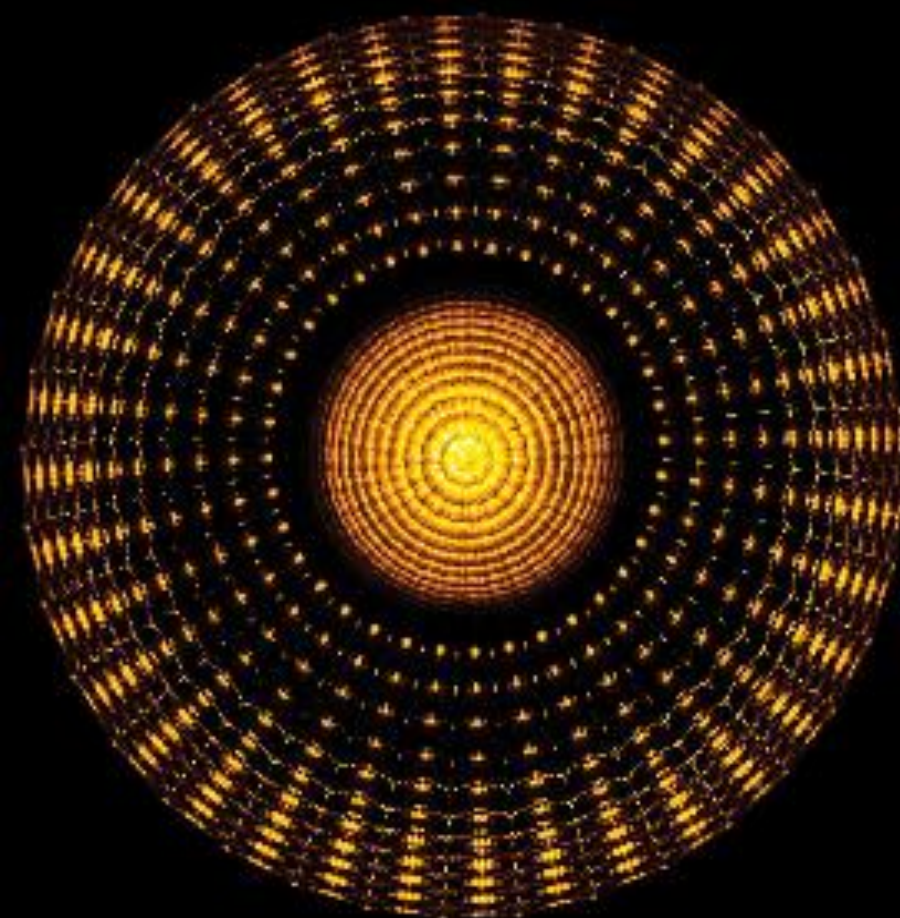
Having control over how the LED electronics perform is not enough.

With lessons learned from the simplicity of conventional light sources, **Soft Dim** reproduces the transition between light and dark with the subtleness and attention to every detail of lighting perception.

2700K

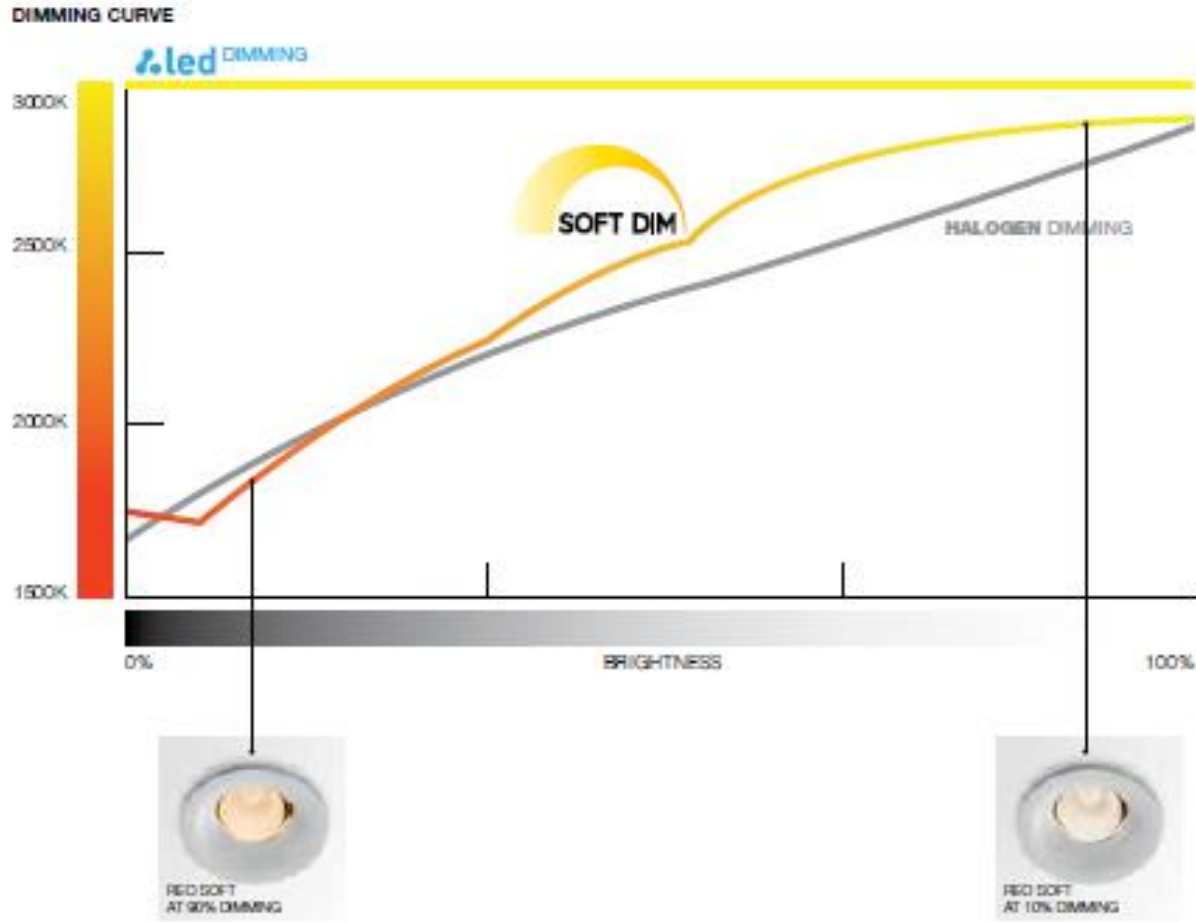


1800K

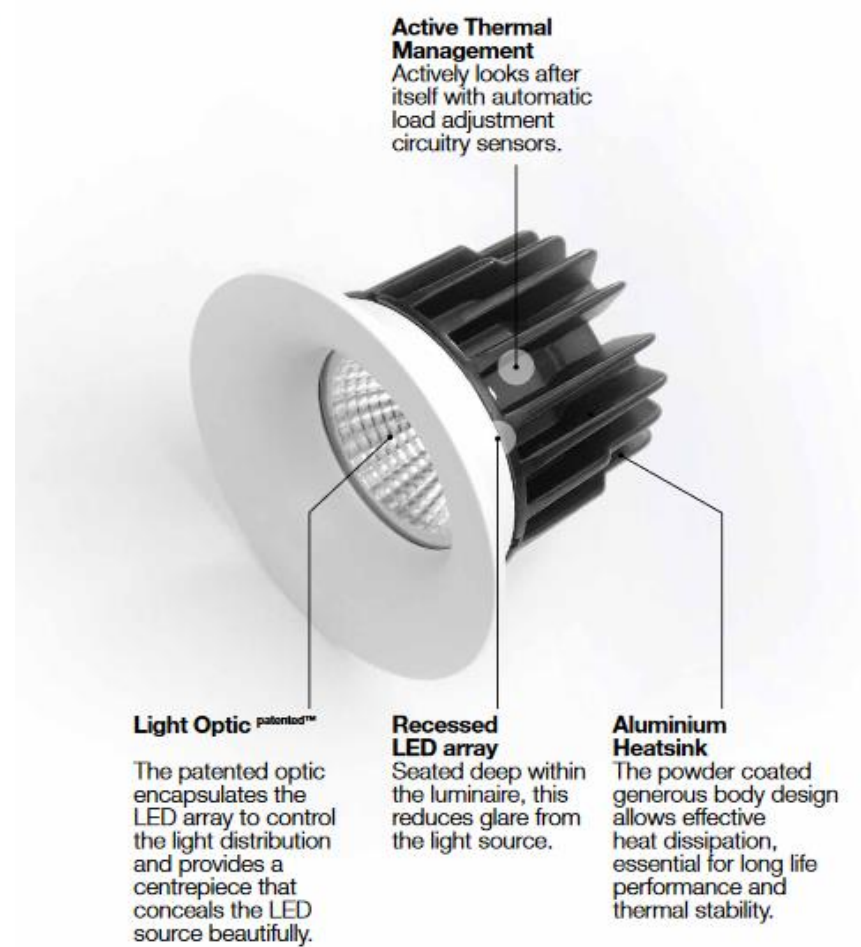




SOFT DIM



RED SOFT
2700-1800K
CRI > 80 / 850lm (10W)
REFLECTOR 40°



Soft Dim Technology not only reduces both the luminous intensity and colour temperature of the light source when dimmed, but does so following the curve of a halogen closely. The result is a gradual and smooth transformation between 2700°K and 1800°K over the dimming range of 100% – 0%.



2700
1800
K



SOFT DIM



IMAX



GYN



REO



DIRO



MINIGRID



CARREE



DEEP RINGO



SPY



YOU-TURN



SPY

DELTA LIGHT®

CARREE



CARREE OVERVIEW



TRIMLESS ST (Small Trim) (Trim)



Carree RS (Fixed)

**2700
1800
K**

SOFT DIM

To discover more, or download technical files of your preferred product, just add the product reference (without color) or name to the deltalight.us / deltalight.ca url. E.g. www.deltalight.us/62025328123 or www.deltalight.us/carree-st-l

<p>MINI CARREE ST</p> <p>2"-5/8" x 2"-5/8" 2"-3/8" x 2"-3/8"</p> <p>FIXED led</p> <p>PAG INT 153</p>	<p>CARREE TRIMLESS LED</p> <p>3" x 3" ⊙ 4"-3/4"</p> <p>FIXED led</p> <p>PAG INT 155</p>	<p>CARREE TRIMLESS OK</p> <p>3" x 3" ⊙ 4"-3/4"</p> <p>ADJUSTABLE 0-30° led / MR16</p> <p>PAG INT 157</p>	<p>CARREE ST LED</p> <p>3"-1/8" x 3"-1/8" 2"-15/16" x 2"-15/16"</p> <p>FIXED led</p> <p>PAG INT 161</p>	<p>CARREE ST OK LED</p> <p>3"-1/8" x 3"-1/8" 2"-15/16" x 2"-15/16"</p> <p>ADJUSTABLE 0-30° led</p> <p>PAG INT 161</p>
---	---	--	--	--

<p>CARREE ST L LED</p> <p>3"-1/8" x 3"-1/8" 2"-15/16" x 2"-15/16"</p> <p>FIXED led</p> <p>PAG INT 165</p>	<p>CARREE SC OK</p> <p>3"-1/8" x 3"-1/8" 2"-15/16" x 2"-15/16"</p> <p>ADJUSTABLE 0-25° led</p> <p>PAG INT 165</p>	<p>CARREE ST OK</p> <p>3"-1/8" x 3"-1/8" 2"-15/16" x 2"-15/16"</p> <p>ADJUSTABLE 0-30° MR16</p> <p>PAG INT 169</p>	<p>CARREE II OK</p> <p>3"-9/16" x 3"-9/16" 2"-15/16" x 2"-15/16"</p> <p>ADJUSTABLE 0-30° MR16</p> <p>PAG INT 169</p>
--	--	--	--

<p>CARREE GT</p> <p>3"-3/16" x 3"-3/16" 2"-15/16" x 2"-15/16"</p> <p>FIXED led / MR16</p> <p>PAG INT 171</p>	<p>CARREE RS LED</p> <p>3"-3/4" x 3"-3/4" ⊙ 3"-1/2"</p> <p>FIXED led</p> <p>PAG INT 173</p>	<p>CARREE 150 LED</p> <p>3"-1/8" x 4"-5/16" 4"-1/16" x 2"-15/16"</p> <p>FIXED led</p> <p>PAG INT 177</p>	<p>GRAND CARREE</p> <p>5"-7/8" x 5"-7/8" 5"-9/16" x 5"-9/16"</p> <p>FIXED CFL QUAD</p> <p>PAG INT 179</p>
---	---	---	---

HOUSING FOR IC AND/OR AIRTIGHT APPLICATIONS ROUGH-IN REQUIREMENTS

A		B		C1		C2		D		E1		E2	
RANGE	INSTALLATION TYPE	POWER & DIMMING		VOLTAGE		MOUNTING OPTION							
CARREE TRIMLESS LED	6 202 7	IC/NIC AT HOUSING S	43 12W 500MA 1-10V DIM 62 12W 500MA MAINS DIM (FE)	3 120-277V 1 120V	1 BAR HANGERS STANDARD								
CARREE TRIMLESS LED IP	6 202 7	IC/NIC AT HOUSING S	43 12W 500MA 1-10V DIM 62 12W 500MA MAINS DIM (FE)	3 120-277V 1 120V	1 BAR HANGERS STANDARD								
CARREE TRIMLESS OK LED	6 202 7	IC/NIC AT HOUSING S	43 12W 500MA 1-10V DIM 62 12W 500MA MAINS DIM (FE)	3 120-277V 1 120V	1 BAR HANGERS STANDARD								
CARREE TRIMLESS OK LED SOFT	6 202 7	IC/NIC AT HOUSING S	22 13W 650MA MAINS DIM (FE)	06 1 120V	1 BAR HANGERS STANDARD								
CARREE TRIMLESS OK	6 202 1	NIC AT HOUSING M	01 50W HALOGEN MAINS DIM (FE) 01 50W HALOGEN MAINS DIM (FE)	06 1 120V 2 277V	1 BAR HANGERS STANDARD								

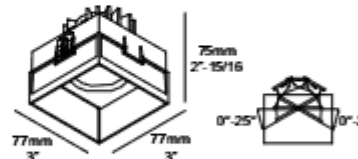
PLASTERFRAME FOR NON-IC APPLICATIONS

A		B		C1		C2		D		E1		E2	
RANGE	INSTALLATION TYPE	POWER & DIMMING		VOLTAGE		MOUNTING OPTION							
CARREE TRIMLESS LED	6 202 01	NIC PLASTERFRAME S	43 12W 500MA 1-10V DIM 62 12W 500MA MAINS DIM (FE)	06 2 277V 1 120V	1 BAR HANGERS STANDARD								
CARREE TRIMLESS LED IP	6 202 01	NIC PLASTERFRAME S	43 12W 500MA 1-10V DIM 62 12W 500MA MAINS DIM (FE)	06 2 277V 1 120V	1 BAR HANGERS STANDARD								
CARREE TRIMLESS OK LED	6 202 01	NIC PLASTERFRAME S	43 12W 500MA 1-10V DIM 62 12W 500MA MAINS DIM (FE)	06 2 277V 1 120V	1 BAR HANGERS STANDARD								
CARREE TRIMLESS OK LED SOFT	6 202 01	NIC PLASTERFRAME S	22 13W 650MA MAINS DIM	06 1 120V	1 BAR HANGERS STANDARD								

REMODEL NON-IC APPLICATIONS / MOUNTING KIT S127 TRIMLESS REQUIRED

A		B		C1		C2		D		E1		E2	
RANGE	INSTALLATION TYPE	POWER & DIMMING		VOLTAGE		SPACINGS							
CARREE TRIMLESS LED	6 202 0	NIC-REMODEL	19 12W 500MA MAINS DIM (FE)	1 120V	1 STANDARD SPACING								
			20 25W 500MA 0-10V DIM	1 120V									
			20 25W 500MA 0-10V DIM	2 277V									
			21 25W 700MA MAINS DIM (FE)	1 120V									
			69 25W 700MA 0-10V DIM	1 120V									
CARREE TRIMLESS OK LED	6 202 0	NIC-REMODEL	19 12W 500MA MAINS DIM (FE)	1 120V	1 STANDARD SPACING								
			20 25W 500MA 0-10V DIM	1 120V									
			20 25W 500MA 0-10V DIM	2 277V									
			21 25W 700MA MAINS DIM (FE)	1 120V									
			69 25W 700MA 0-10V DIM	1 120V									
CARREE TRIMLESS OK LED SOFT	6 202 0	NIC-REMODEL	22 13W 650MA MAINS DIM (FE)	00 1 120V	1 STANDARD SPACING								

*1% DIMMING ON REQUEST



Ø KIT x 3"-3/8"

CRI > 90

CARREE TRIMLESS OK LED

3500 K

LED [H] 10.4W / 1109lm / 500mA



6 202 510 811 952 ◊
◊ = A / B / W

3000 K

LED [H] 10.4W / 1079lm / 500mA



6 202 510 811 932 ◊
◊ = A / B / W

2700 K

LED [H] 10.4W / 1032lm / 500mA



6 202 510 811 922 ◊
◊ = A / B / W

ADJUSTABLE 0° - 25°

0.7 IP20 DAMP

REQUIREMENTS
ROUGH-IN

CRI > 90

CARREE TRIMLESS OK LED SOFT

2700 K



LED 10W / 565lm / 650mA



6 202 510 1902 ◊
◊ = A / B / W

ADJUSTABLE 0° - 25°

0.7 IP20 DAMP

REQUIREMENTS
ROUGH-IN



DIRO



DIRO OVERVIEW

**2700
1800
K** **SOFT DIM**



MINI DIRO

Ø 1"
 Ⓢ Ø 2" (KIT)
 FIXED

 PAG INT 89

<p>MINI DIRO RL TRIMLESS</p> <p>Ø 5"-Ø 16" Ⓢ Ø 6" x 2"-3/4" FIXED PAG INT 91</p>	<p>MINI DIRO R</p> <p>Ø 2"-15/16" Ⓢ Ø 2"-5/8" x 2"-3/4" FIXED PAG INT 95</p>	<p>MINI DIRO S</p> <p>2"-15/16" x 2"-15/16" Ⓢ Ø 2"-5/8" x 2"-3/4" FIXED PAG INT 95</p>
--	--	--

<p>DIRO TRIMLESS LED</p> <p>Ø 3"-3/16" Ⓢ Ø 4"-13/16" (KIT) FIXED PAG INT 97</p>	<p>DIRO TRIMLESS OK</p> <p>Ø 3"-3/16" Ⓢ Ø 4"-1/8" (KIT) ADJUSTABLE 0-20° MR16 PAG INT 97</p>	<p>DIRO ST OK</p> <p>Ø 3"-3/16" Ⓢ Ø 3" ADJUSTABLE 0-20° / MR16 PAG INT 101</p>	<p>DIRO DUO ST</p> <p>Ø 3"-1/4" x 6"-5/16" Ⓢ Ø 6" x 2"-15/16" ADJUSTABLE 20-40° PAG INT 103</p>	<p>DIRO 130</p> <p>Ø 3"-3/16" Ⓢ Ø 3" FIXED MR16 PAG INT 105</p>
---	--	---	---	---

DIRO QT

Ø 3"-3/8"
 Ⓢ Ø 3"
 FIXED

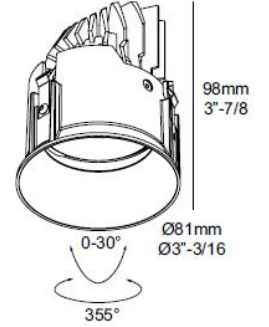
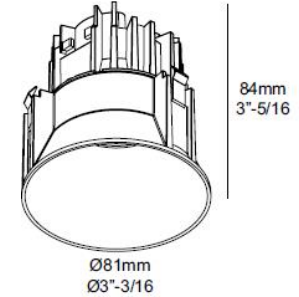
 PAG INT 106

<p>GRAND DIRO TRIMLESS</p> <p>Ø 5"-Ø 16" Ⓢ Ø 6" (KIT) ADJUSTABLE 0-50° / 360° AR111 PAG INT 109</p>	<p>GRAND DIRO TRIMLESS D</p> <p>Ø 5"-Ø 16" Ⓢ Ø 6" (KIT) ADJUSTABLE 0-20° / 360° AR111 PAG INT 109</p>	<p>GRAND DIRO ST</p> <p>Ø 6"-3/8" Ⓢ Ø 6" ADJUSTABLE 0-50° / 360° AR111 PAG INT 109</p>
---	---	--

HOUSING FOR IC AND/OR AIRTIGHT APPLICATIONS

ROUGH-IN REQUIREMENTS

RANGE		INSTALLATION TYPE		POWER & DIMMING		VOLTAGE		MOUNTING OPTION	
A	B	C1	C2	D	E1	E2	1 - 120V 2 - 277V 3 - 120-277V 4 - 347V*	0 - NO BAR HANGERS 1 - BAR HANGERS STANDARD	
6	202	7	IC/NIC AT HOUSING S	43	12W 500mA 1-10V DIM	77	3	1	
				62	12W 500mA MAINS DIM (FE)		1		
6	202	7	IC/NIC AT HOUSING S	43	12W 500mA 1-10V DIM	77	3	1	
				62	12W 500mA MAINS DIM (FE)		1		
6	202	7	IC/NIC AT HOUSING S	43	12W 500mA 1-10V DIM	77	3	1	
				62	12W 500mA MAINS DIM (FE)		1		
6	202	7	IC/NIC AT HOUSING S	22	13W 650mA MAINS DIM (FE)	77	1	1	
6	202	1	IC/NIC AT HOUSING M	01	50W HALOGEN	11	1	1	
				01	50W HALOGEN		2		



PLASTERFRAME FOR NON-IC APPLICATIONS

RANGE		INSTALLATION TYPE		POWER & DIMMING		VOLTAGE		MOUNTING OPTION	
A	B	C1	C2	D	E1	E2	1 - 120V 2 - 277V 3 - 120-277V 4 - 347V*	0 - NO BAR HANGERS 1 - BAR HANGERS STANDARD	
6	202	01	NIC PLASTERFRAME S	43	12W 500mA 1-10V DIM	77	1	1	
				43	12W 500mA 1-10V DIM		2		
				62	12W 500mA MAINS DIM (FE)		1		
6	202	01	NIC PLASTERFRAME S	43	12W 500mA 1-10V DIM	77	2	1	
				43	12W 500mA 1-10V DIM		2		
				62	12W 500mA MAINS DIM (FE)		1		
6	202	01	NIC PLASTERFRAME S	43	12W 500mA 1-10V DIM	77	2	1	
				43	12W 500mA 1-10V DIM		2		
				62	12W 500mA MAINS DIM (FE)		1		
6	202	01	NIC PLASTERFRAME S	22	13W 650mA MAINS DIM (FE)	77	1	1	

REMODEL NON-IC APPLICATIONS IN COMBINATION WITH MOUNTING KIT R127 TRIMLESS

RANGE		INSTALLATION TYPE		POWER & DIMMING		VOLTAGE		SPACINGS	
A	B	C1	C2	D	E1	E2	1 - 120V 2 - 277V 3 - 120-277V 4 - 347V*	1 - STANDARD SPACINGS 2 - MARKED SPACINGS	
6	202	9	NIC-REMODEL	19	12W 500mA MAINS DIM (FE)	99	1	1	
				20	25W 500mA 0-10V DIM		1		
				20	25W 500mA 0-10V DIM		2		
				21	25W 700mA MAINS DIM (FE)		1		
				69	25W 700mA 0-10V DIM		1		
				69	25W 700mA 0-10V DIM		2		
6	202	9	NIC-REMODEL	22	13W 650mA MAINS DIM	99	1	1	

DIRO TRIMLESS LED NEW

LED [H] 10.4W / 1109lm / 500mA

3500 K

6 202 144 811 952 ⌀
⌀ = B / MMAT / W

3000 K

6 202 144 811 932 ⌀
⌀ = B / MMAT / W

2700 K

6 202 144 811 922 ⌀
⌀ = B / MMAT / W

NON ADJUSTABLE

IP20 DAMP

REQUIREMENTS
ROUGH-IN

DIRO TRIMLESS OK LED

LED [H] 10.4W / 1109lm / 500mA

3500 K

6 202 145 811 952 ⌀
⌀ = B / MMAT / W

3000 K

6 202 145 811 932 ⌀
⌀ = B / MMAT / W

2700 K

6 202 145 811 922 ⌀
⌀ = B / MMAT / W

ADJUSTABLE 0°-30° / 355°

IP20 DAMP

REQUIREMENTS
ROUGH-IN

DIRO TRIMLESS LED IP NEW

LED [H] 10.4W / 1109lm / 500mA

3500 K

6 202 146 811 952 ⌀
⌀ = B / MMAT / W

3000 K

6 202 146 811 932 ⌀
⌀ = B / MMAT / W

2700 K

6 202 146 811 922 ⌀
⌀ = B / MMAT / W

NON ADJUSTABLE

IP44 WET

REQUIREMENTS
ROUGH-IN

DIRO TRIMLESS LED SOFT NEW

LED 10W / 565lm / 650mA

2700 K

6 202 144 1902 ⌀
⌀ = B / MMAT / W

NON ADJUSTABLE


IP20 DAMP

REQUIREMENTS
ROUGH-IN

INTERIOR CEILING RECESSED

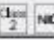



Diro GT LED
Requirements
STANDARD

IC HOUSING AIRTIGHT S
 
 8"-5/8" x 14"-3/16" x 4"-3/4"
 1-10V DIMMABLE / 120-277V
 MAINS DIMMABLE / 120V
 NON-DIMMABLE / 120V

NON-IC PLASTERFRAME S
 
 8"-5/8" x 14"-3/16"
 MAINS DIMMABLE / 120V
 NON-DIMMABLE / 120V

Requirements
CLASS 2 & NON-IC

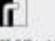

INSTALLATION
 
 PLASTERKIT 101 8"-1/16" x 8"-1/16"
 202 11 19

NON-IC PLASTERFRAME S
 8"-5/8" x 14"-3/16" 

CONTROL GEAR
 LED POWER SUPPLY
 ALL INFO ON FOLD-OUT COVER 

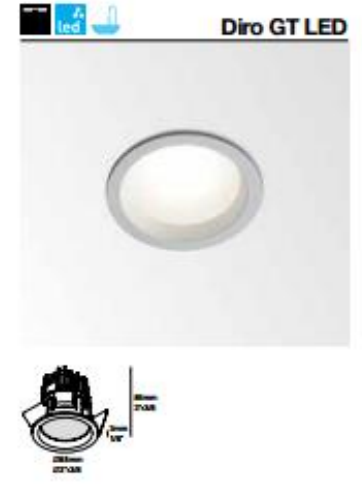
Diro 130
Requirements
STANDARD

NON-IC HOUSING AIRTIGHT M
 
 8"-5/8" x 14"-3/16" x 6"-3/4"
 MAINS DIMMABLE / 120V

POURED CONCRETE HOUSING
 
 8"-5/8" x 14"-3/16" x 4"-3/4"
 MAINS DIMMABLE / 120V

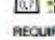

See Installation Requirements insert found on front cover for detailed Housing / Plasterframe information.

INTERIOR CEILING RECESSED



CRI > 80	
4000K	CONTACT FACTORY
3000K	680lm (7W)
REFLECTOR FL-33°	DIRO GT LED 3033 Ø 6 202 342 28122 Ø Ø = A / W
2700K	618lm (7W)
REFLECTOR FL-33°	DIRO GT LED 2733 Ø 6 202 342 28123 Ø Ø = A / W



DIRO 130 S1 Ø
 6 202 14 80 Ø
 Ø = W
 FIXED
 GX5.3 / 12V
 1 x M16 max.50W
 IP20
 REQUIREMENTS / STANDARD
 NON-IC HOUSING AIRTIGHT M
 or
 POURED CONCRETE HOUSING

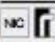

FIXED
 INCL. 1 x POWERLED WHITE (1) 7W
 EXCL. LED POWER SUPPLY 350mA-DC
 
 REQUIREMENTS / STANDARD
 IC HOUSING AIRTIGHT S
 or
 NON-IC PLASTERFRAME S
 REQUIREMENTS / CLASS 2 & NON-IC
 PLASTERKIT 101
 or
 NON-IC PLASTERFRAME S
 LED POWER SUPPLY 350mA-DC / DIM

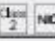
INTERIOR CEILING RECESSED




Diro GT LED
Requirements
STANDARD

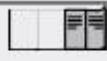
IC HOUSING AIRTIGHT S


 8"-5/8" x 14"-3/16" x 4"-3/4"
 1-10V DIMMABLE / 120-277V
 MAINS DIMMABLE / 120V
 NON-DIMMABLE / 120V

NON-IC PLASTERFRAME S


 8"-5/8" x 14"-3/16"
 MAINS DIMMABLE / 120V
 NON-DIMMABLE / 120V



Requirements
CLASS 2 & NON-IC




INSTALLATION
 PLASTERKIT 101 8"-1/16" x 8"-1/16"
 202 11 19

NON-IC PLASTERFRAME S
 8"-5/8" x 14"-3/16"


CONTROL GEAR
 LED POWER SUPPLY
 ALL INFO ON FOLD-OUT COVER


Diro 130
Requirements
STANDARD

NON-IC HOUSING AIRTIGHT M


 8"-5/8" x 14"-3/16" x 6"-3/4"
 MAINS DIMMABLE / 120V

POURED CONCRETE HOUSING


 8"-5/8" x 14"-3/16" x 4"-3/4"
 MAINS DIMMABLE / 120V

See Installation Requirements insert found on front cover for detailed Housing / Plasterframe information.

INTERIOR CEILING RECESSED

Diro GT LED **Diro 130**



FIXED
 INCL. 1 x POWERLED WHITE (1) 7W
 EXCL. LED POWER SUPPLY 350mA-DC


REQUIREMENTS / STANDARD
 IC HOUSING AIRTIGHT S
 or
 NON-IC PLASTERFRAME S

REQUIREMENTS / CLASS 2 & NON-IC
 PLASTERKIT 101
 or
 NON-IC PLASTERFRAME S
 LED POWER SUPPLY 350mA-DC / DIM

DIRO 130 S1 ϕ
 S 202 14 80 ϕ
 ϕ = W
 FIXED
 GX5.3 / 12V
 1 x M16 max. 50W
 IP20

REQUIREMENTS / STANDARD
 NON-IC HOUSING AIRTIGHT M
 or
 POURED CONCRETE HOUSING

DEEP RINGO



INTERIOR CEILING RECESSED



Deep Ringo LED Requirements
STANDARD

IC HOUSING AIRTIGHT S


 8"-5/8 x 14"-3/16 x 4"-3/4
 1-10V DIMMABLE / 120-277V
 MAINS DIMMABLE / 120V
 NON-DIMMABLE / 120V

NON-IC PLASTERFRAME S


 8"-5/8 x 14"-3/16
 MAINS DIMMABLE / 120V
 NON-DIMMABLE / 120V



Requirements CLASS 2 & NON-IC



INSTALLATION
 PLASTERKIT 101 8"-1/16 x 8"-1/16
 202 11 19

NON-IC PLASTERFRAME S
 8"-5/8 x 14"-3/16


CONTROL GEAR
 LED POWER SUPPLY
 ALL INFO ON FOLD-OUT COVER


Deep Ringo Requirements
STANDARD

NON-IC HOUSING AIRTIGHT M


 8"-5/8 x 14"-3/16 x 6"-3/4
 MAINS DIMMABLE / 120V

POURED CONCRETE HOUSING


 8"-5/8 x 14"-3/16 x 4"-3/4
 MAINS DIMMABLE / 120V

See Installation Requirements Insert function front cover for detailed Housing / Plasterframe information.

INTERIOR CEILING RECESSED

Deep Ringo LED



Deep Ringo



	CRI > 80	CRI > 90 (p-IPRODUCT FACTORY)
4000K	CONTACT FACTORY	
3000K	680m (7W)	568m (7W)
REFLECTOR FL-33*	DEEP RINGO LED 3033-8 6 202 272 28132 Ø Ø = S / MMAT / W	DEEP RINGO LED 3033-8-Ø 6 202 272 29132 Ø Ø = S / MMAT / W
2700K	618m (7W)	525m (7W)
REFLECTOR FL-33*	DEEP RINGO LED 2733-8 6 202 272 28133 Ø Ø = S / MMAT / W	DEEP RINGO LED 2733-8-Ø 6 202 272 29133 Ø Ø = S / MMAT / W

FIXED
 INCL. 1 x POWERLED WHITE (1) 7W
 EXCL. LED POWER SUPPLY 350mA-DC

 REQUIREMENTS / STANDARD
 IC HOUSING AIRTIGHT S
 or
 NON-IC PLASTERFRAME S
 REQUIREMENTS / CLASS 2 & NON-IC
 PLASTERKIT 101
 or
 NON-IC PLASTERFRAME S
 LED POWER SUPPLY 350mA-DC / DIM

DEEP RINGO S1 Ø
 6 202 11 16 Ø
 Ø = ALU / B / C / W
 FIXED
 GX5.3 / 12V
 1 x MR16 max. 50W
 IP20
 REQUIREMENTS / STANDARD
 NON-IC HOUSING AIRTIGHT M
 or
 POURED CONCRETE HOUSING



INTERIOR CEILING RECESSED







Deep Ringo S LED

Requirements
STANDARD



IC HOUSING AIRTIGHT S

8"-5/8" x 14"-3/16" x 4"-3/4"

1-10V DIMMABLE / 120-277V
MAINS DIMMABLE / 120V
NON-DIMMABLE / 120V


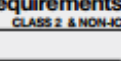
NON-IC PLASTERFRAME S

8"-5/8" x 14"-3/16"

MAINS DIMMABLE / 120V
NON-DIMMABLE / 120V

Requirements
CLASS 2 & NON-IC


 

INSTALLATION


PLASTERKIT 161 7"-7/8" x 7"-7/8"
207 01 161

MOUNTING KIT 75 4"-5/8" x 4"-5/8" x 7/8"
202 00 75

NON-IC PLASTERFRAME S

8"-5/8" x 14"-3/16" 


CONTROL GEAR


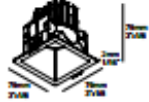
LED POWER SUPPLY
ALL INFO ON FOLD-OUT COVER 



DEEP RINGO S LED 3030 S1 R
See Installation Requirements Insert found on front cover for detailed Housing / Plasterframe information.




INTERIOR CEILING RECESSED

 **Deep Ringo S LED**

	CRI > 80	CRI > 90 (w/ CONTACT FACTORY)
4000K	CONTACT FACTORY	
3000K	680lm (7W)	560lm (7W)
REFLECTOR FL-33°	DEEP RINGO S LED 3030 S1 ◊ 6 202 28 28122 ◊ ◊ = B / W / MMAT	DEEP RINGO S LED 3034 S1 ◊ 6 202 28 29122 ◊ ◊ = B / W / MMAT
2700K	618lm (7W)	522lm (7W)
REFLECTOR FL-33°	DEEP RINGO S LED 2730 S1 ◊ 6 202 28 28123 ◊ ◊ = B / W / MMAT	DEEP RINGO S LED 2734 S1 ◊ 6 202 28 29123 ◊ ◊ = B / W / MMAT

FIXED
INCL. 1 x POWERLED WHITE (1) 7W
EXCL. LED POWER SUPPLY 350mA-DC

REQUIREMENTS / STANDARD
IC HOUSING AIRTIGHT S
or
NON-IC PLASTERFRAME S

REQUIREMENTS / CLASS 2 & NON-IC
PLASTERKIT 161
or
MOUNTING KIT 75
or
NON-IC PLASTERFRAME S
LED POWER SUPPLY 350mA-DC / DIM

**2700
1800
K**  **SOFT DIM**



PINTOR 63 ST

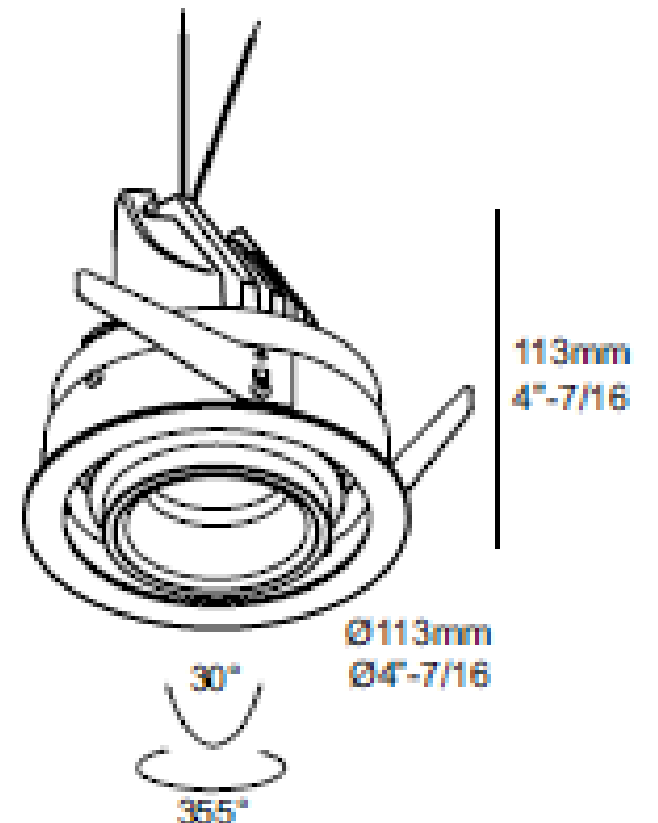
BRIDGELUX (90 CRI) – 1000lm
 XICATO (95 CRI) – 700-1000lm



CRI > 90 (BR) CRI > 95 (XR)	PINTOR 63 ST BR	PINTOR 63 ST XR 09	PINTOR 63 ST XR 19
3500 K	LED [H] 12.7W / 1301lm / 600mA / IC/AT	LED [M] 13.4W / 832lm / 600mA / IC/AT	LED [N] 13.4W / 1130lm / 600mA / IC/AT
REFL SP 16°		6 202 401 13 951 ◊ ◊ = B / W	
REFL SP 18°	6 202 401 811 951 ◊ ◊ = B / W		
REFL FL 33°	6 202 401 811 952 ◊ ◊ = B / W	6 202 401 13 952* ◊ ◊ = B / W	
REFL WFL 43°			6 202 401 13 953* ◊ ◊ = B / W
REFL WFL 55°			6 202 401 13 954 ◊ ◊ = B / W



*Tube in Black, Gold, White, **Silver Gray**



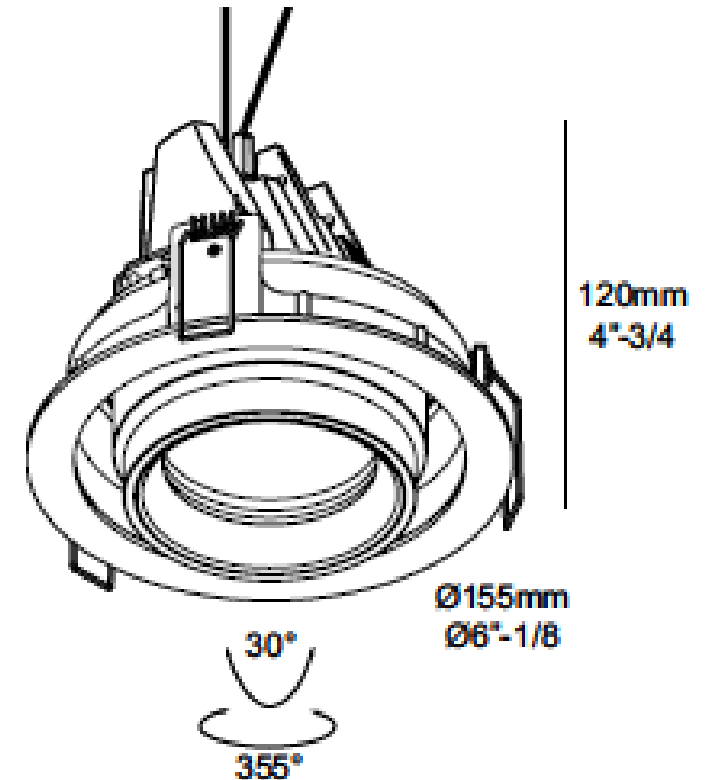
NEW

PINTOR 90 ST

BRIDGELUX (90 CRI) – 2200lm
 XICATO (95 CRI) – 800-1000lm



CRI > 90 (BR) CRI > 95 (XR)	PINTOR 90 ST BR	PINTOR 90 ST XR 09	PINTOR 90 ST XR 19
3500 K	LED [J] 24.3W / 2852lm / 700mA / IC/AT	LED [O] 16.4W / 957lm / 600mA / IC/AT LED [O] 19.5W / 1110lm / 700mA / NIC/AT	LED [P] 14.4W / 1225lm / 600mA / NIC/AT
REFL SP 11°		6 202 406 20 951 ◊ ◊ = B / W	
REFL FL 20°	6 202 406 21 951 ◊ ◊ = B / W		
REFL FL 24°		6 202 406 20 952* ◊ ◊ = B / W	
REFL FL 35°	6 202 406 21 952 ◊ ◊ = B / W		
REFL WFL 42°			6 202 406 20 953 ◊ ◊ = B / W
REFL WFL 57°			6 202 406 20 954 ◊ ◊ = B / W



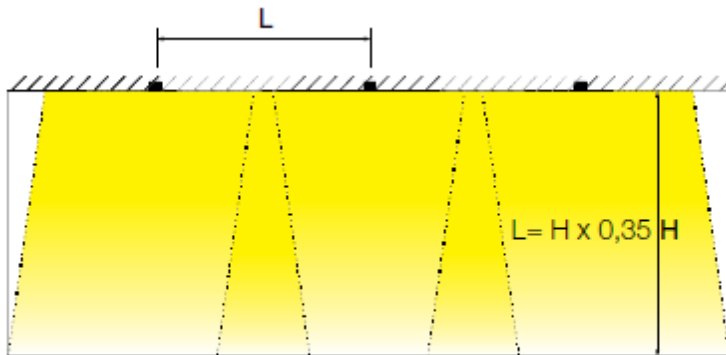
*Tube in Black, Gold, White, **Silver Gray**



POSITION FOR INSTALLATION



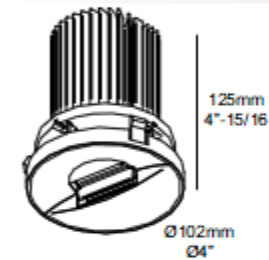
exmpl: H=3000mm / 119"
 → L= 3000 mm / 119" x 0,4 = 1200 mm / 47"-1/4



exmpl: H=3000mm / 119"
 → L= 3000 mm / 119" x 0,4 = 1200 mm / 47"-1/4

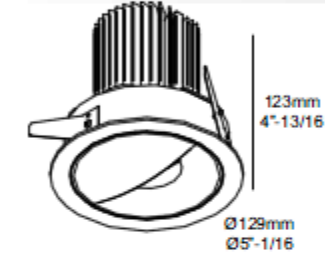
SNEAK-R TRIMLESS

NEW



SNEAK-R

NEW



CRI > 90

SNEAK-R TRIMLESS

3500 K

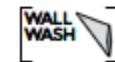
LED [I] 11.7W / 1520lm / 350mA



6 415 362 950 ◇
 ◇ = SG / W

3000 K

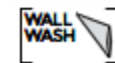
LED [I] 11.7W / 1467lm / 350mA



6 415 362 930 ◇
 ◇ = SG / W

2700 K

LED [I] 11.7W / 1414lm / 350mA



6 415 362 920 ◇
 ◇ = SG / W

NON ADJUSTABLE

1.3 IP20 DAMP

REQUIREMENTS
 ROUGH-IN

SNEAK-R

LED [I] 11.7W / 1520lm / 350mA

6 415 361 950 ◇
 ◇ = W-SG / W-W

LED [I] 11.7W / 1467lm / 350mA

6 415 361 930 ◇
 ◇ = W-SG / W-W

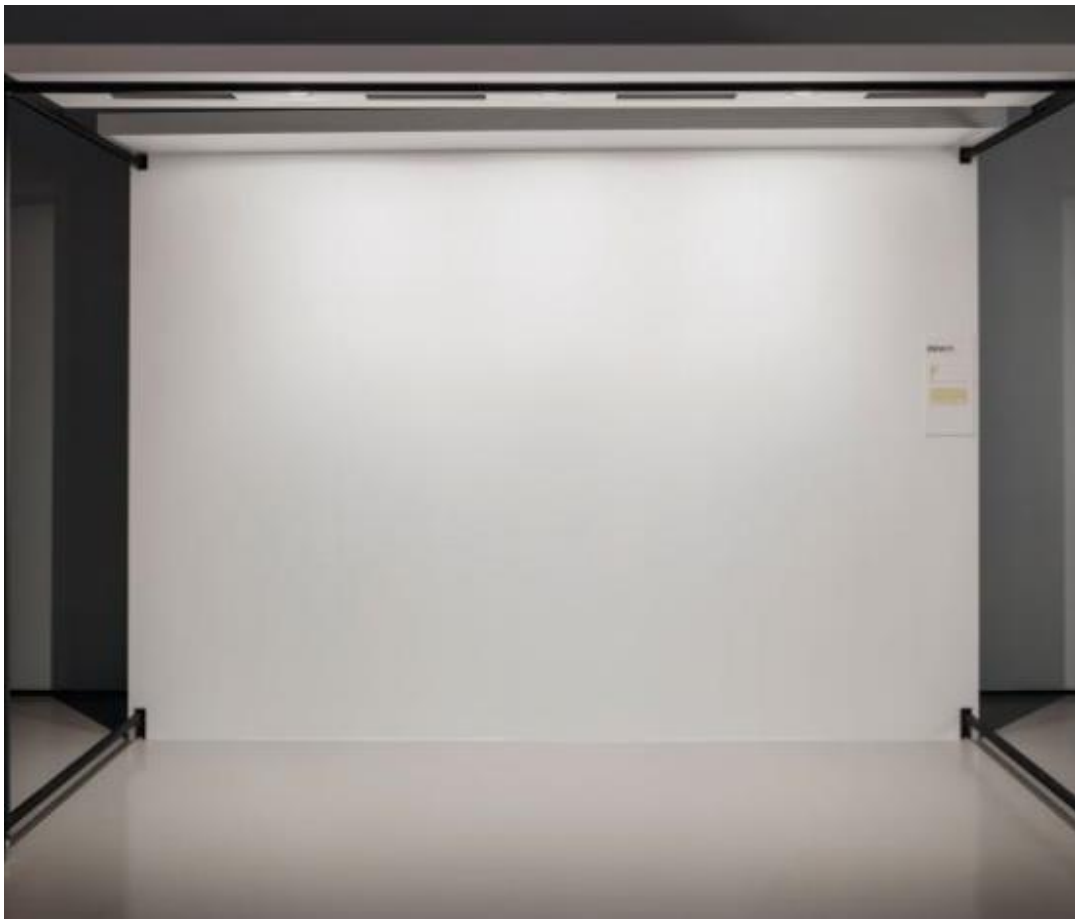
LED [I] 11.7W / 1414lm / 350mA

6 415 361 920 ◇
 ◇ = W-SG / W-W

NON ADJUSTABLE

1.3 IP20 DAMP

REQUIREMENTS
 ROUGH-IN





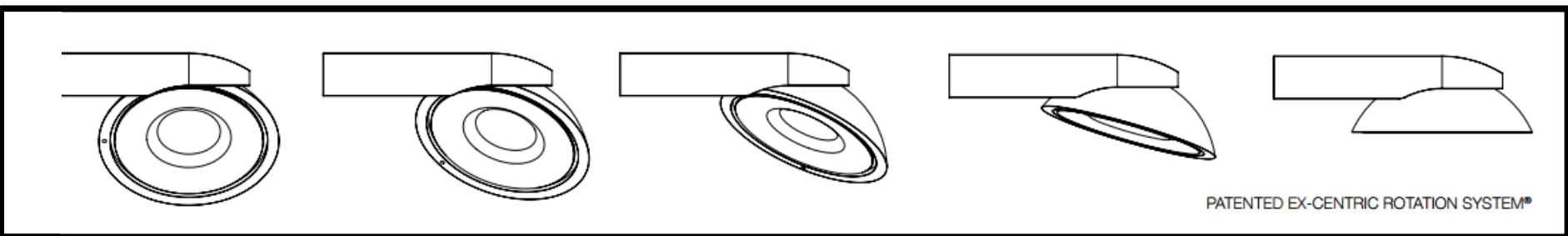


TWEETER

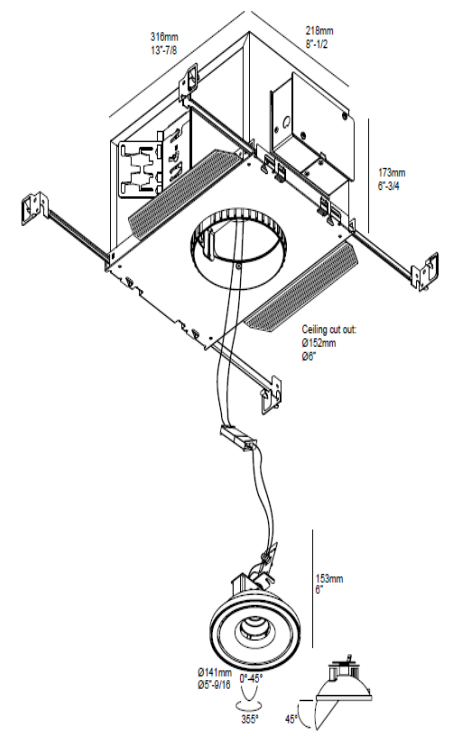


TWEETER TRIMLESS REO

- PATENTED EX-CENTRIC ROTATION SYSTEM



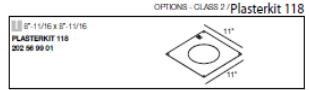
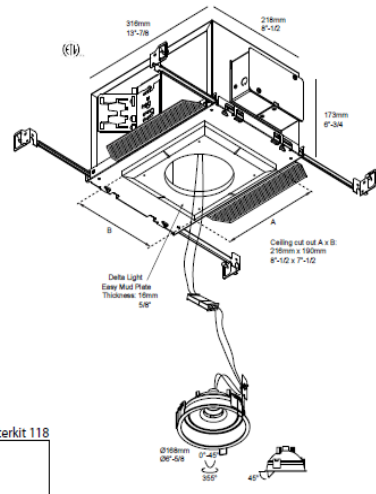
- ADJUSTABLE 45 DEG, 355 DEG
- 2700K, 3000K
(4000K W/ QTY)
- WHITE FINISH ONLY



TWEETER TRIMLESS REO



SPRING RIGGING (SW) - BEKIT (12W)
ON REQUEST (SW) - BEKIT (12W)
ON REQUEST (SW) - BEKIT (12W)



TWEETER ST D REO



TWEETER FINNLINE

GYN OK

GYPSUM LUMINAIRE

CRI > 90

GYN OK SNAP-IN

3000
K

LED [H] 10,4W / 1109lm / 500mA
LED [H] 15W / 1492lm / 700mA



6 415 412 811 951 ◊
◊ = W



6 415 412 811 952 ◊
◊ = W

3000
K

LED [H] 10,4W / 1075lm / 500mA
LED [H] 15W / 1446lm / 700mA



6 415 412 811 931 ◊
◊ = W



6 415 412 811 932 ◊
◊ = W

2700
K

LED [H] 10,4W / 1032lm / 500mA
LED [H] 15W / 1388lm / 700mA

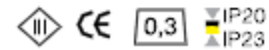


6 415 412 811 921 ◊
◊ = W



6 415 412 811 922 ◊
◊ = W

ADJUSTABLE 0° - 20° / 350°



REQUIREMENTS
ROUGH-IN

CRI > 90

GYN OK SNAP-IN SOFT

2700
1800
K

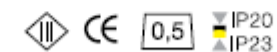
SOFT DIM

LED 10W / 565lm / 650mA



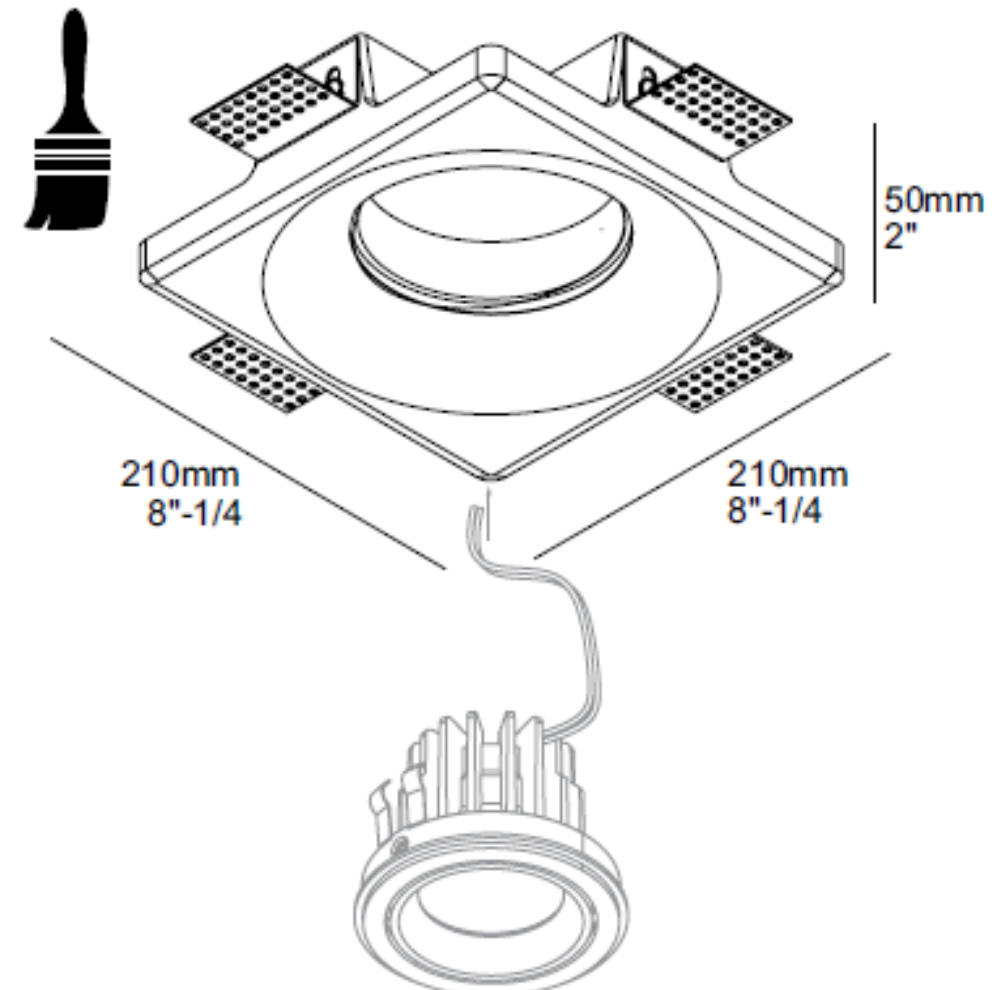
6 415 412 1902 ◊
◊ = W

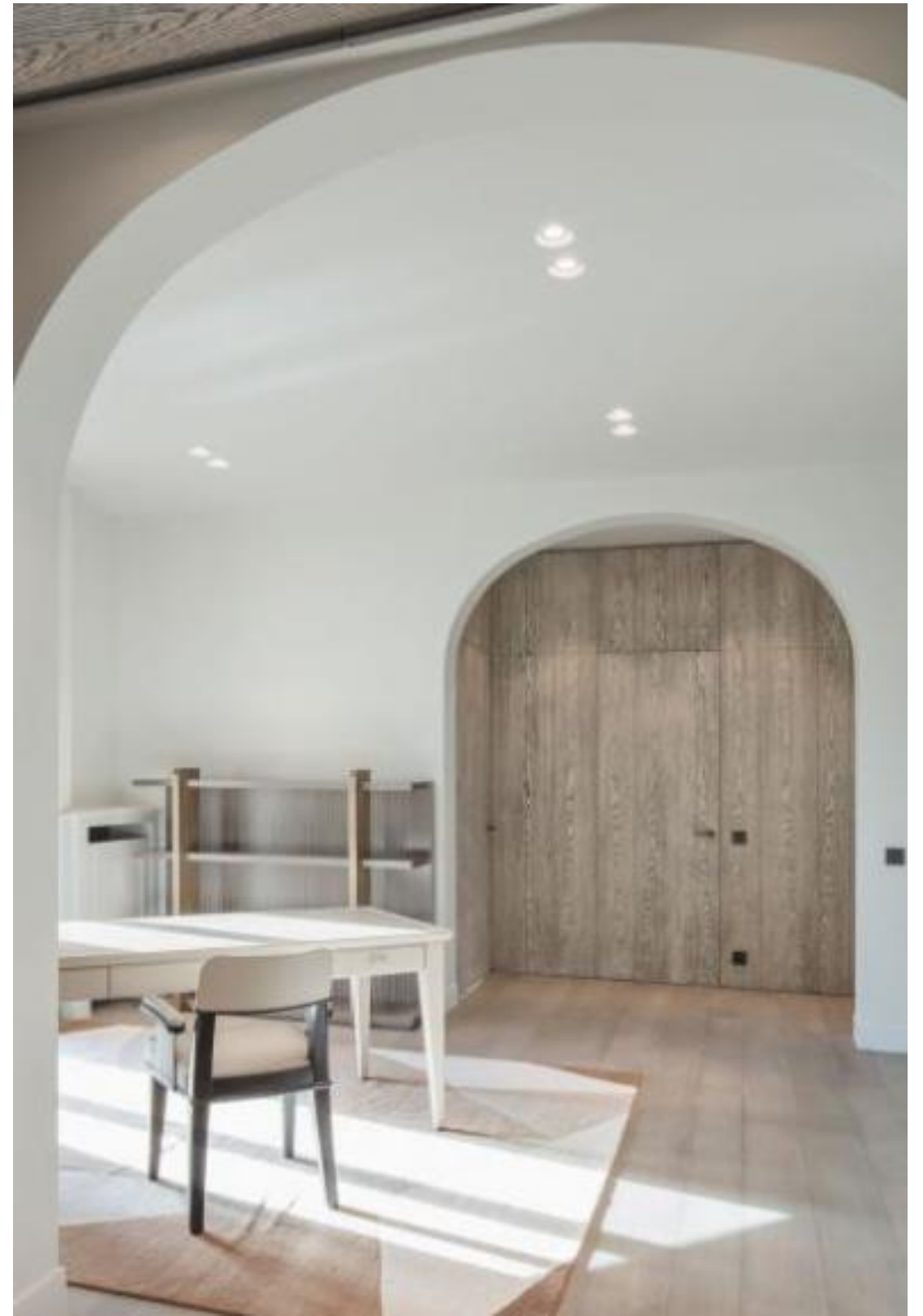
ADJUSTABLE 0° - 20° / 350°



REQUIREMENTS
ROUGH-IN



NEW





GRAND REO / OK / TRIMLESS

Conical Spot

3000 K  REFL FL 20°	LED [J] 16.8W / 1995lm / 500mA / IC/AT LED [J] 24.3W / 2752lm / 700mA / NIC	LED [J] 16.8W / 1995lm / 500mA / IC/AT LED [J] 24.3W / 2752lm / 700mA / NIC	LED [J] 16.8W / 1995lm / 500mA / IC/AT LED [J] 24.3W / 2752lm / 700mA / NIC
	6 202 395 21 932	6 202 391 21 932 ◇ ◇ = B-B / W-B / W-W	6 202 393 21 932 ◇ ◇ = B-B / W-B / W-W
REFL FL 35° 	6 202 395 21 933	6 202 391 21 933 ◇ ◇ = B-B / W-B / W-W	6 202 393 21 933 ◇ ◇ = B-B / W-B / W-W



5.25"



4.75"

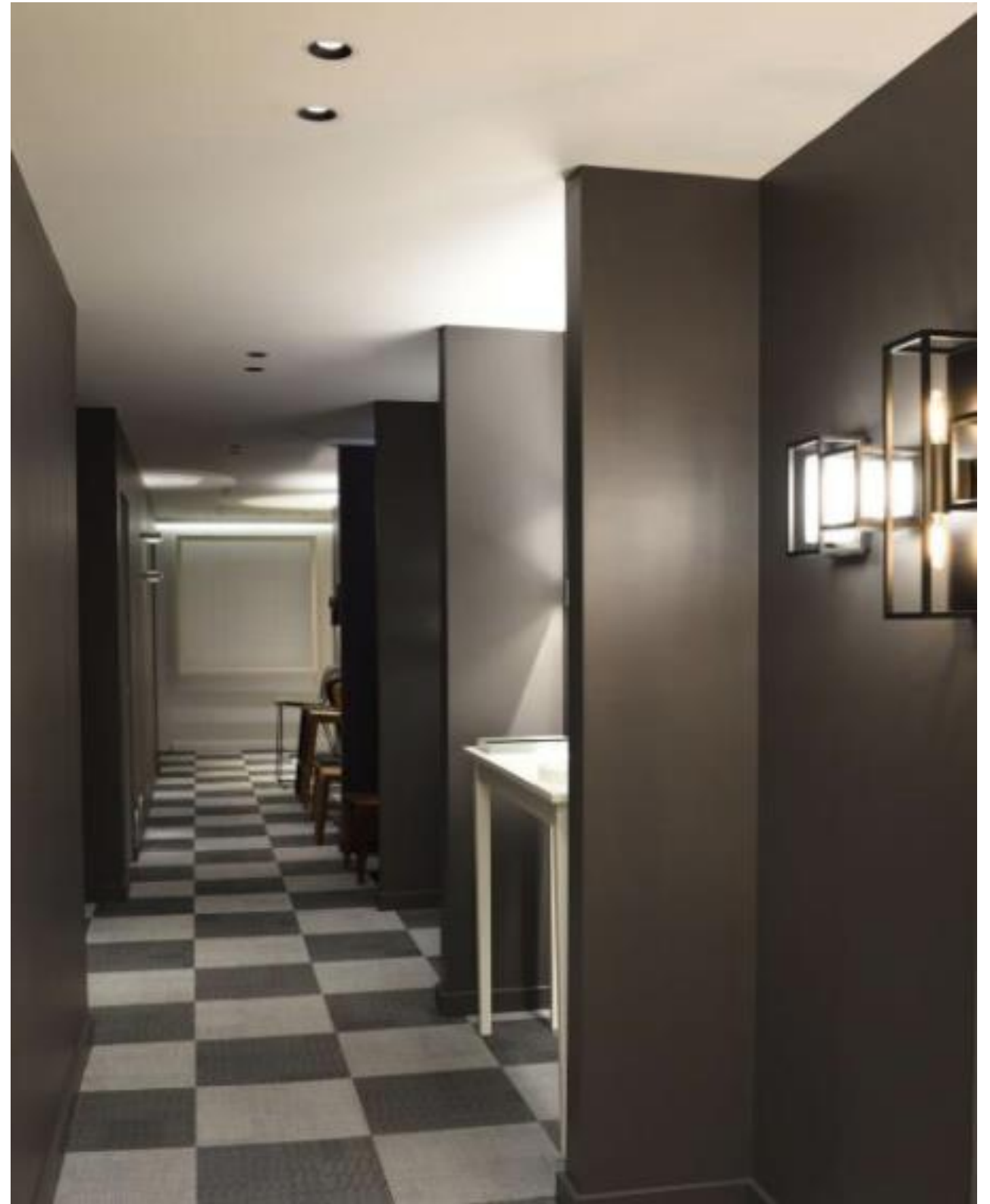
● BLACK
202 03 00 B

○ WHITE
202 03 00 W

● GOLD MAT
202 03 00 MMAT



4.00"





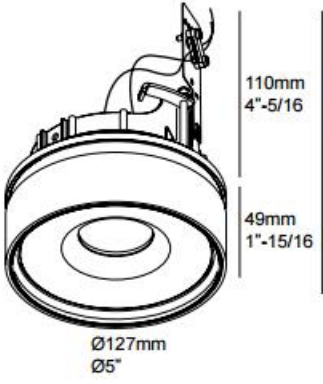


YOU-TURN
INT 268-277



led **You-Turn Reo**



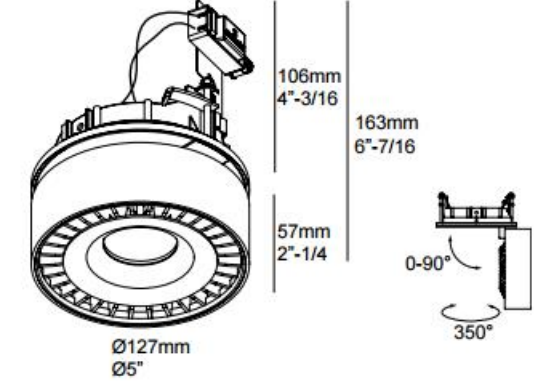
110mm
4'-5/16"

159mm
6'-1/4"

49mm
1'-15/16"

Ø127mm
Ø5"

0-90°
350°



106mm
4'-3/16"

163mm
6'-7/16"

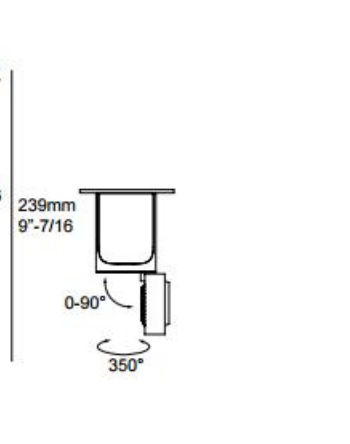
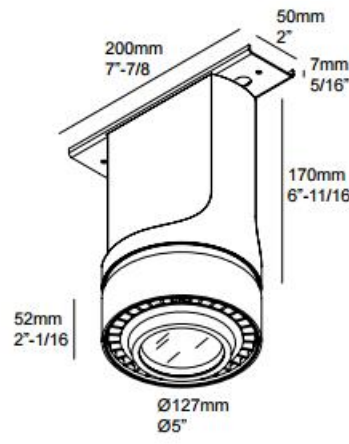
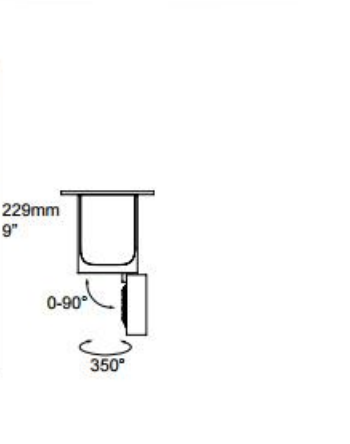
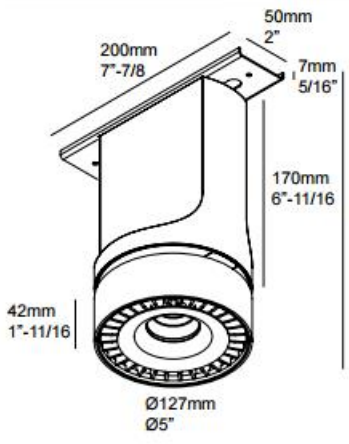
57mm
2'-1/4"

Ø127mm
Ø5"

0-90°
350°

YOU-TURN REO

led Splitline You-Turn LED



YOU-TURN

DELTA LIGHT®

SPY

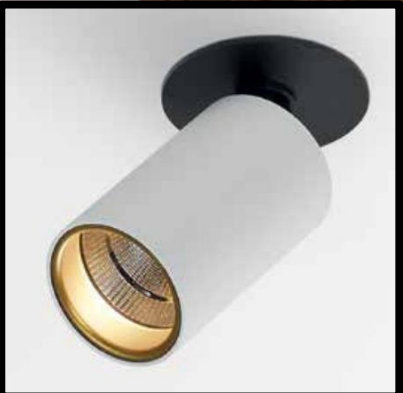
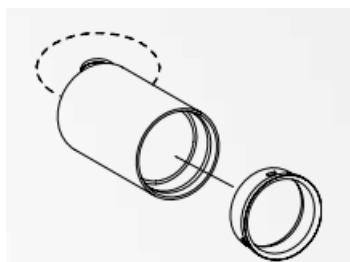


DELTA LIGHT®

SPY



SPY



SPY

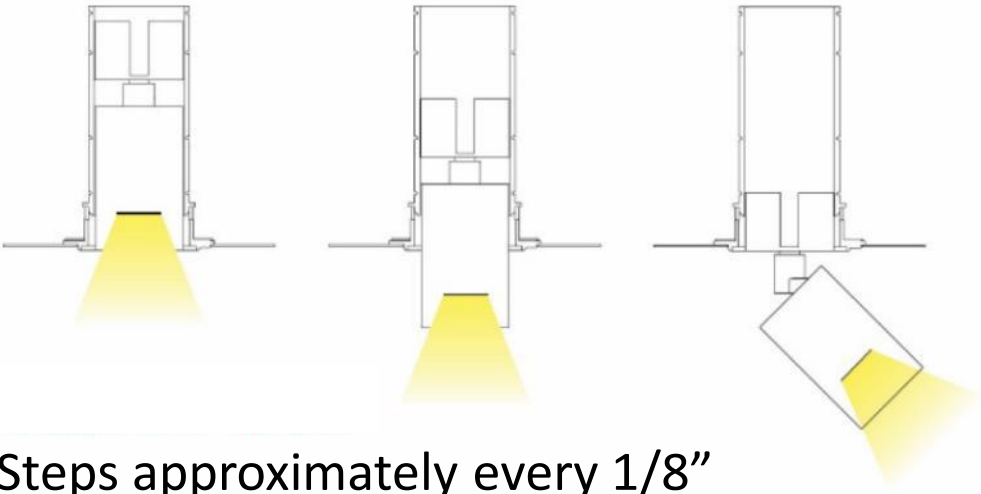


MIDISPY TRIMLESS

INT 139



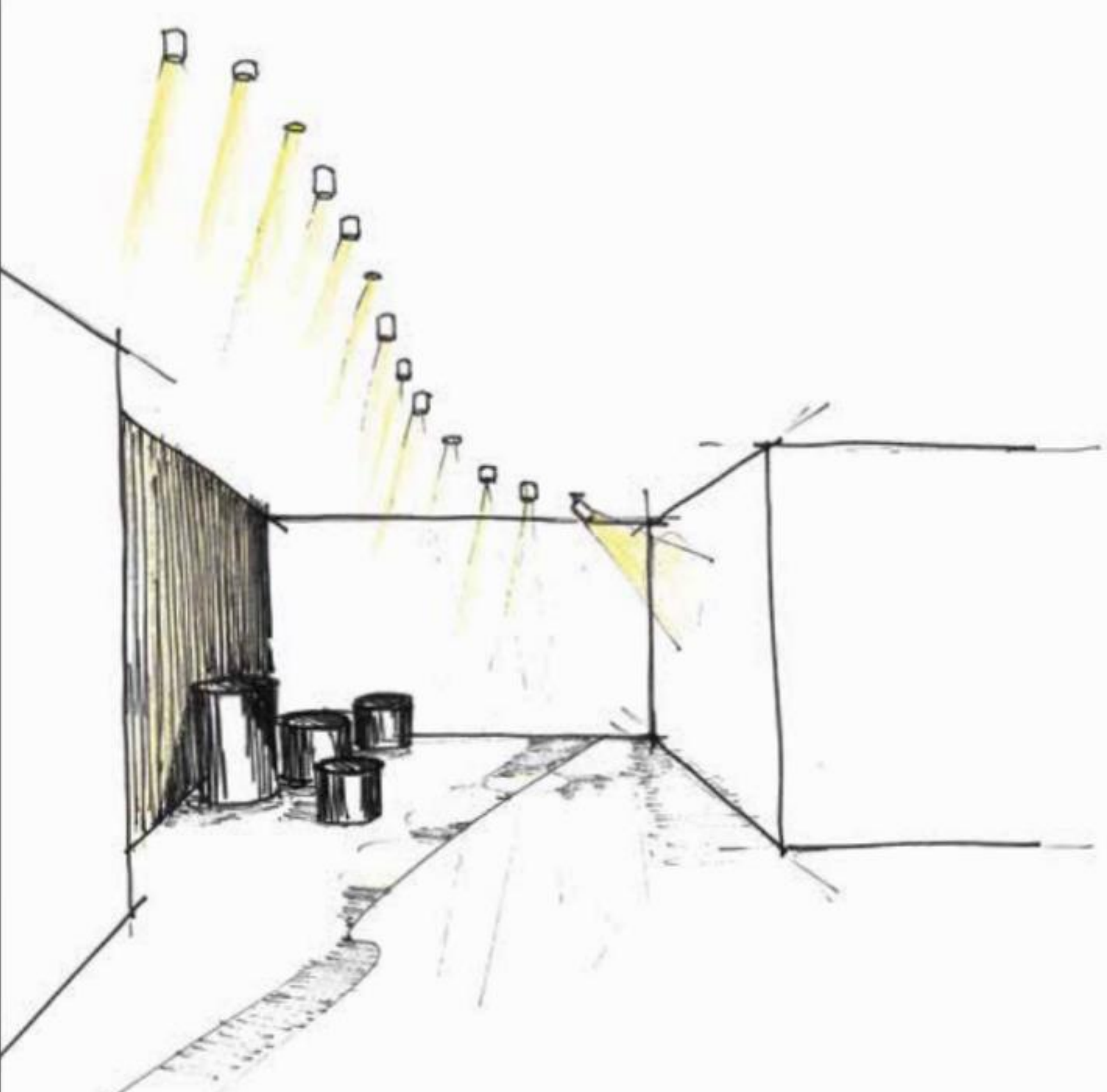
Midispy Trimless



Steps approximately every 1/8"



SPY



MINI SPY



SPY FOCUS

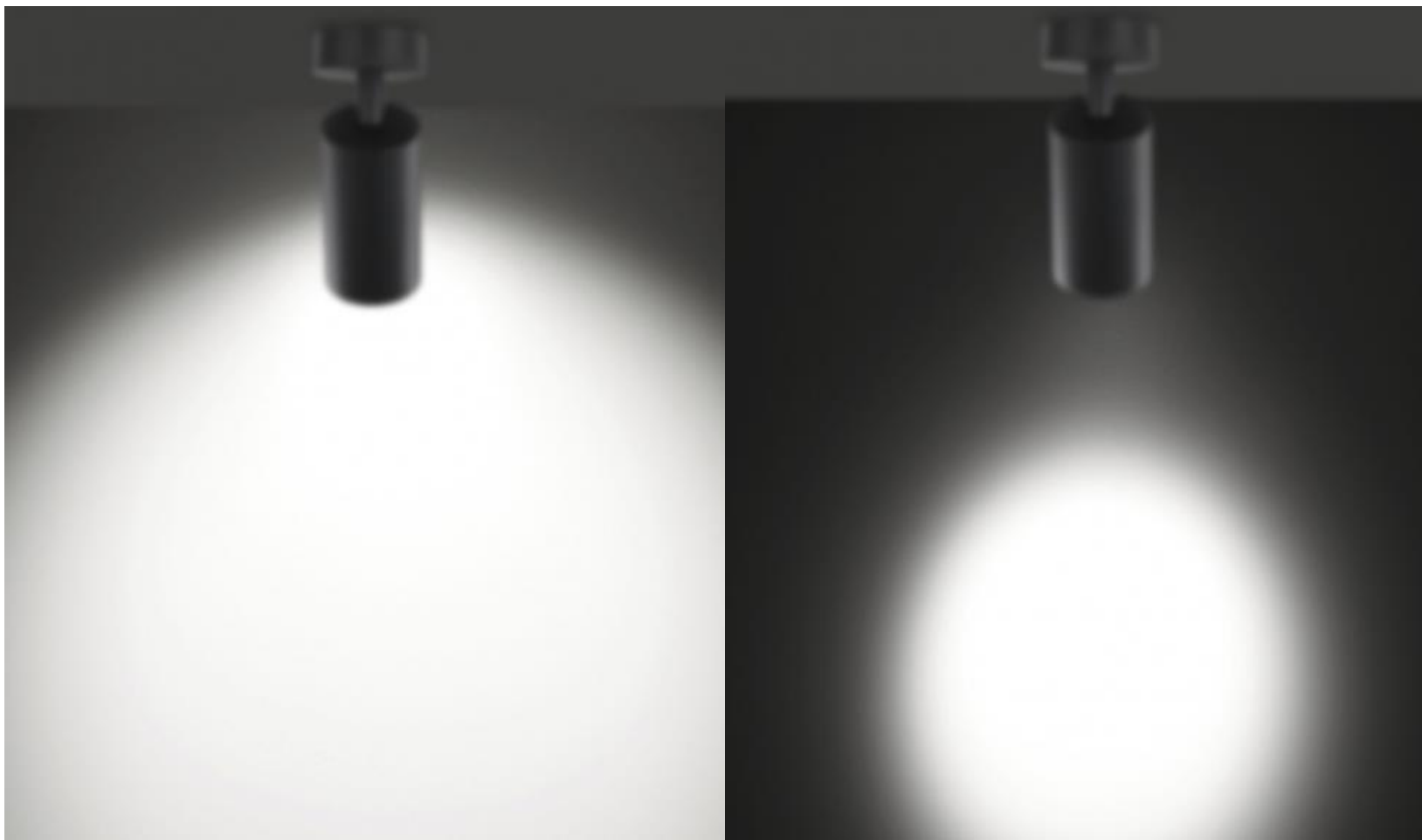
ADJUSTABLE BEAM ANGLE

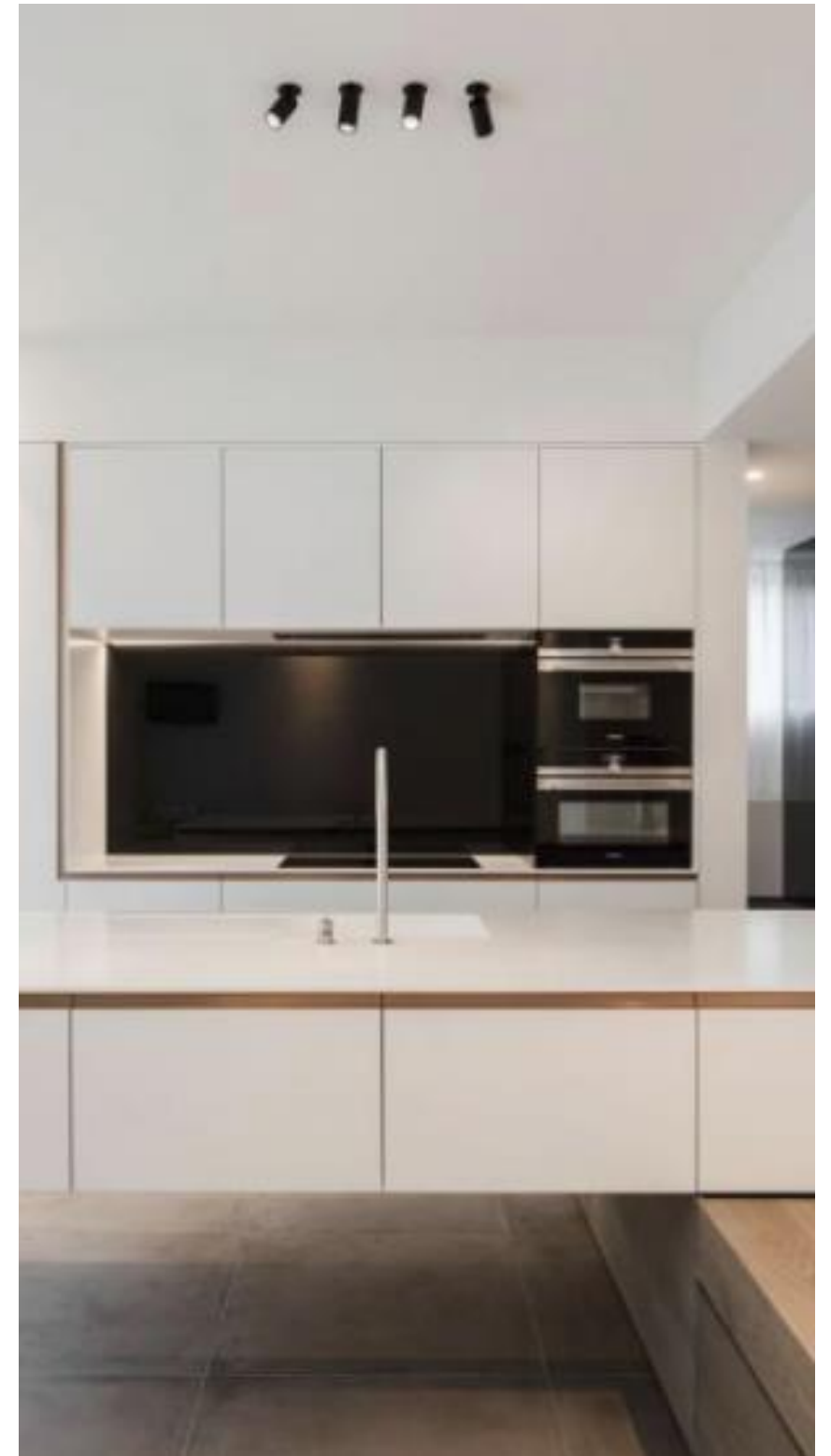
*ADJUSTABLE 0-90° / 355° ROTATION

*11°-44° BEAM

*3500K,3000K,2700K

*BLACK-BLACK / WHITE-BLACK / WHITE-WHITE





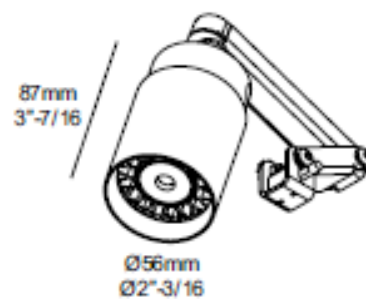
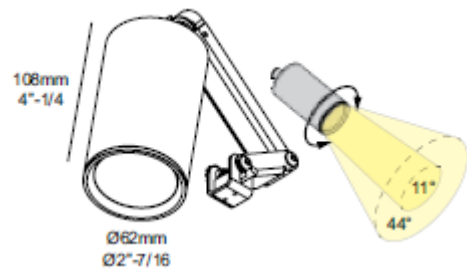
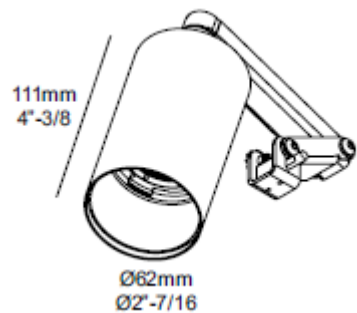
SPLITBOX

Trimless Integrated Lighting

*2 AND 3 LAMP COMBOS

*RECESSED IN BOX OR PULLED OUT

*OFFERED WITH SPY, SPY FOCUS OR MR-16
MODULE





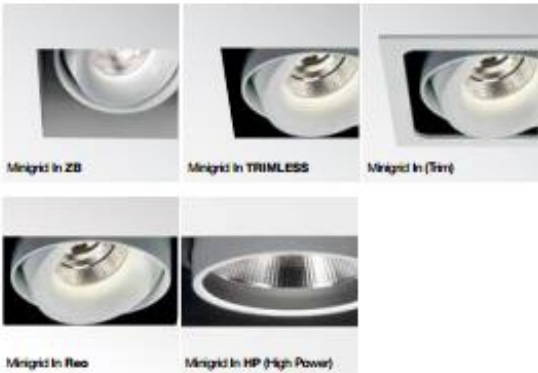
DELTA LIGHT®



MINIGRID



MINIGRID IN OVERVIEW

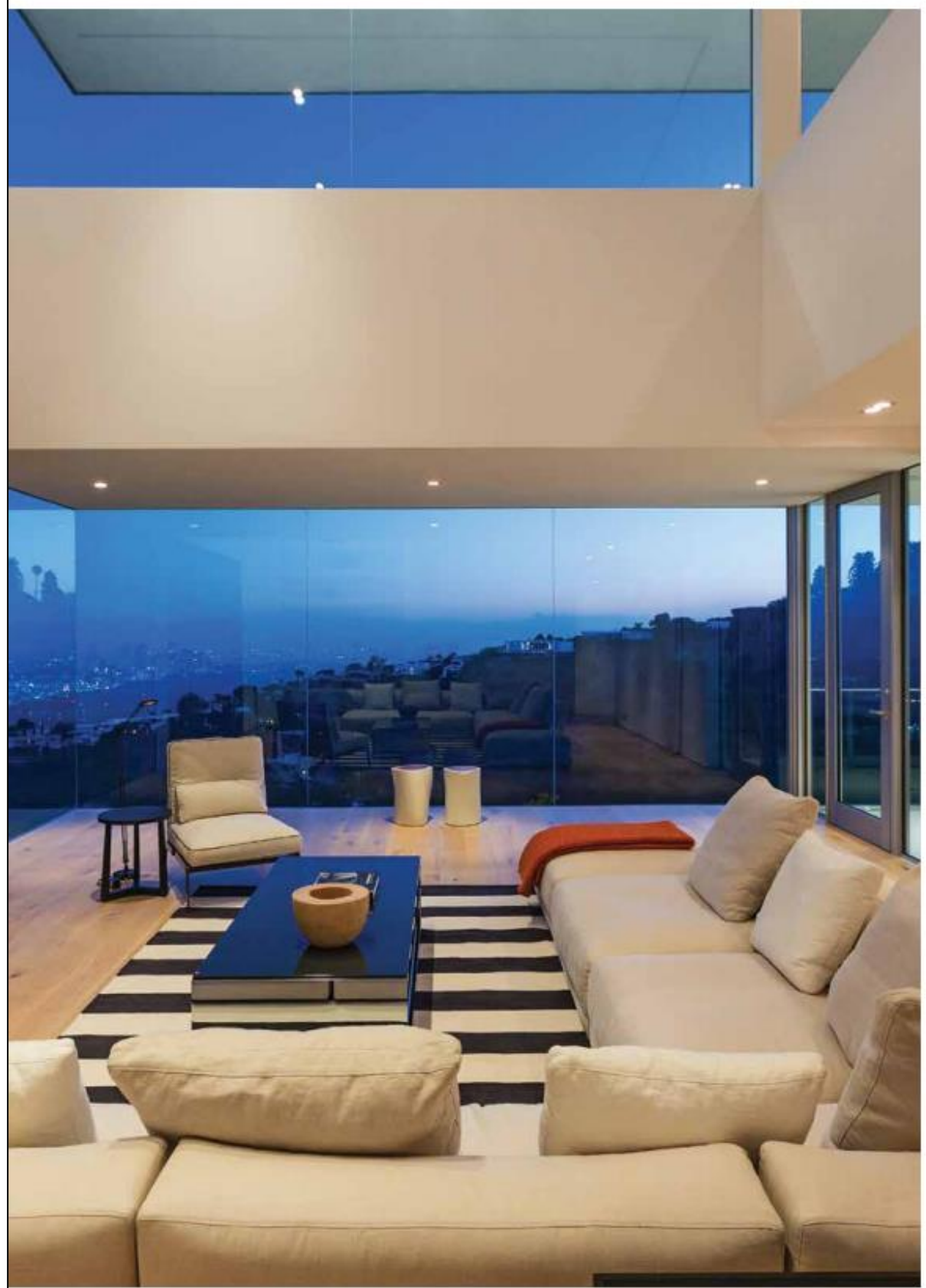


2700
1800
K

SOFT DIM

To discover more, or download technical files of your preferred product, just add the product reference (without color) or name to the deltalight.us / deltalight.ca url. E.g. www.deltalight.us/62027428123 or www.deltalight.us/minigrid-in-reo

MINIGRID IN ZB REO	MINIGRID IN ZB	MINIGRID IN TRIMLESS REO	MINIGRID IN TRIMLESS HP	MINIGRID IN TRIMLESS
ADJUSTABLE 0-30°	ADJUSTABLE 0-30°	ADJUSTABLE 0-30°/360°	ADJUSTABLE 0-20°/360°	ADJUSTABLE 0-30°
MR16	MR16	MR16	MR16	MR16
PAG INT 183	PAG INT 185	PAG INT 187	PAG INT 191	PAG INT 195
MINIGRID IN SI REO	MINIGRID IN HP	MINIGRID IN		
ADJUSTABLE 0-30°/360°	ADJUSTABLE 0-20°/360°	ADJUSTABLE 0-30°		
MR16	MR16	MR16		
PAG INT 199	PAG INT 201	PAG INT 203		



INTERIOR CEILING RECESSED



ABC PROJECTS - KUALA LUMPUR

Minigrid In ZB 1 50
Requirements
 STANDARD

IC HOUSING AIRTIGHT L

12"-1/8 x 17"-1/2 x 8"-1/2

MAINS DIMMABLE / 120V

Minigrid In ZB 2 50
Requirements
 STANDARD

IC HOUSING AIRTIGHT L

12"-1/8 x 17"-1/2 x 8"-1/2

MAINS DIMMABLE / 120V

See Installation Requirements insert found on front cover for detailed Housing / Plasterframe information.

INTERIOR CEILING RECESSED

Minigrid In ZB

MINIGRID IN ZB 1 50
 6 202 70 55 01 0
 Φ = A / W
 ADJUSTABLE 0° - 30°
 GLS,3 / 12V
 1 x MR16 max.35W
 IP20
 REQUIREMENTS / STANDARD
 IC HOUSING AIRTIGHT L

MINIGRID IN ZB 2 50
 6 202 70 55 02 0
 Φ = A / W
 ADJUSTABLE 0° - 30°
 GLS,3 / 12V
 2 x MR16 max.20W
 IP20
 REQUIREMENTS / STANDARD
 IC HOUSING AIRTIGHT L



MINIGRID IN ZB 2 50

INTERIOR CEILING RECESSED



ABC PROJECTS - ROMA VEROVA

Minigrid In ZB 1 50
Requirements
STANDARD

IC HOUSING AIRTIGHT L

12"-1/8 x 17"-1/2 x 8"-1/2

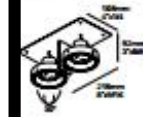
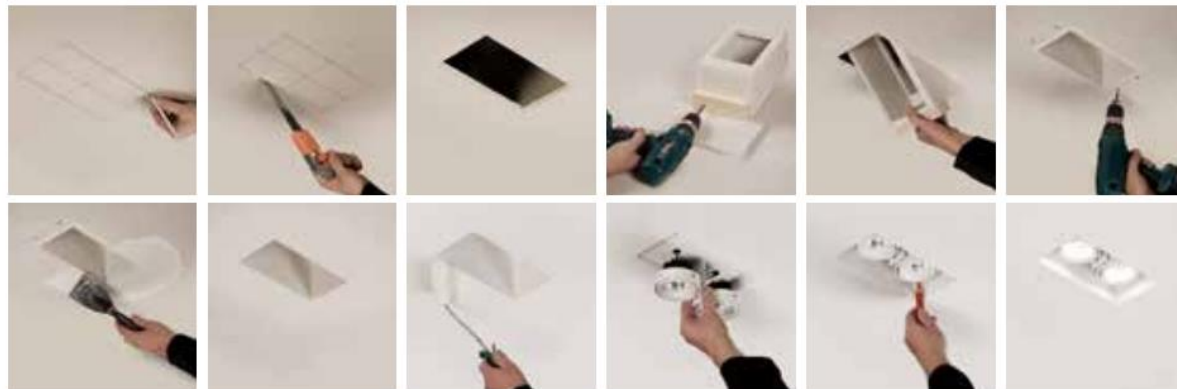
MAINS DIMMABLE / 120V

INTERIOR CEILING RECESSED

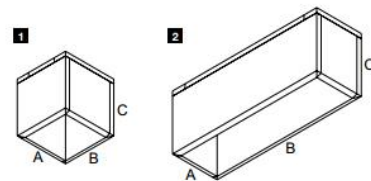


Minigrid In ZB

ZB Box



MINIGRID IN ZB 2 50 0
6 202 70 55 02 0
Ø = 4" / 100
ADJUSTABLE 0° - 30°
CLASS 3 / 12V
2 x MR16 max. 20W
IP20
REQUIREMENTS / STANDARD
IC HOUSING AIRTIGHT L



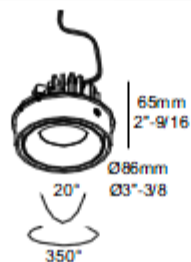
DEPTH I, MAY VARY ACCORDING TO THE LUMINAIRE USED.
ALWAYS CHECK THE CORRECT DEPTH OF THE LUMINAIRE.

ZB BOX	REFERENCE	A x B x C	LB	I	H	TYPE
GRID IN ZB 1 LED BOX 120V	6 202 601 98 01 1	7"-1/4 x 7"-1/4 x 4"	3.3	7"-1/4 x 7"-1/4	4"-3/4	1
GRID IN ZB 1 LED BOX 277V	6 202 601 98 01 2	7"-1/4 x 7"-1/4 x 4"	3.3	7"-1/4 x 7"-1/4	4"-3/4	1
GRID IN ZB 2 LED BOX 120V	6 202 601 98 02 1	7"-1/4 x 13"-1/4 x 4"	4.8	7"-1/4 x 13"-1/4	4"-3/4	2
GRID IN ZB 2 LED BOX 277V	6 202 601 98 02 2	7"-1/4 x 13"-1/4 x 4"	4.8	7"-1/4 x 13"-1/4	4"-3/4	2
MINIGRID IN ZB 1 BOX L	6 202 70 98 01	5"-1/2 x 5"-1/2 x 5"-1/16	2.7	5"-9/16 x 5"-9/16	5"-13/16	1
MINIGRID IN ZB 2 BOX L	6 202 70 98 02	5"-1/2 x 9"-13/16 x 5"-1/16	4.0	5"-9/16 x 9"-7/8	5"-13/16	2



MINIGRID IN ZB 2 50

MINIGRID SI



CRI > 90

MINIGRID SNAP-IN

3500
K

LED [H] 10.4W / 1109lm / 500mA



6 202 790 811 951 ◊
◊ = B / W

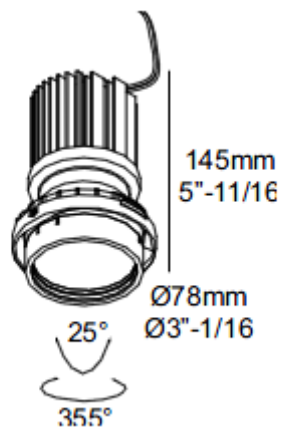


6 202 790 811 952 ◊
◊ = B / W



NEW

6 202 790 811 953 ◊
◊ = B / W

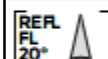


CRI > 90

MINIGRID SNAP-IN HP

3500
K

LED [J] 16,8W / 2068lm / 500mA
LED [J] 24,3W / 2852lm / 700mA



6 202 791 211 951 ◊
◊ = B / W



6 202 791 211 952 ◊
◊ = B / W



6 202 791 211 953 ◊
◊ = B / W



INTERIOR CEILING SURFACE / SUSPENDED



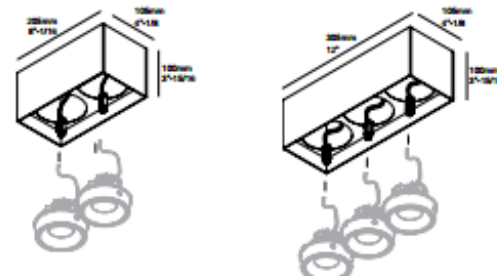
MINGRID ON 1 BOX DIMB ◊
 6 202 79 01 ED8 ◊
 ◊ = B / W
 INCL. DIMMABLE LED POWER SUPPLY 500mA-DC
 MAINS DIMMING
 120V / 60Hz
24 IP20
 REQUIREMENTS
 MGRID SNAP-IN

INTERIOR CEILING SURFACE / SUSPENDED

Minigrid On SI Reo



MINGRID ON 3 BOX W + 3 x MINGRID SNAP-IN REO ED18 B



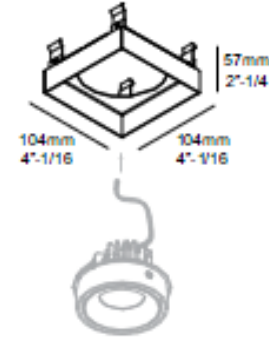
MINGRID ON 2 BOX DIMB ◊
 6 202 79 02 ED8 ◊
 ◊ = B / W
 INCL. DIMMABLE LED POWER SUPPLY 500mA-DC
 MAINS DIMMING
 120V / 60Hz
31 IP20
 REQUIREMENTS
 2 x MGRID SNAP-IN

MINGRID ON 3 BOX DIMB ◊
 6 202 79 03 ED8 ◊
 ◊ = B / W
 INCL. DIMMABLE LED POWER SUPPLY 500mA-DC
 MAINS DIMMING
 120V / 60Hz
37 IP20
 REQUIREMENTS
 3 x MGRID SNAP-IN



	CRI > 80	CRI > 90
4000K		
CONTACT FACTORY		
3000K	945lm (0.3W)	732lm (0.3W)
REFLECTOR SP-18°	MINGRID SNAP-IN REO 83018 ◊ 6 202 790 81831 ◊ ◊ = B / W	MINGRID SNAP-IN REO 83018 ◊ 6 202 790 81931 ◊ ◊ = B / W
REFLECTOR FL-33°	MINGRID SNAP-IN REO 83033 ◊ 6 202 790 81832 ◊ ◊ = B / W	MINGRID SNAP-IN REO 83033 ◊ 6 202 790 81932 ◊ ◊ = B / W
2700K	803lm (0.3W)	695lm (0.3W)
REFLECTOR SP-18°	MINGRID SNAP-IN REO 82718 ◊ 6 202 790 81821 ◊ ◊ = B / W	MINGRID SNAP-IN REO 82718 ◊ 6 202 790 81921 ◊ ◊ = B / W
REFLECTOR FL-33°	MINGRID SNAP-IN REO 82733 ◊ 6 202 790 81822 ◊ ◊ = B / W	MINGRID SNAP-IN REO 82733 ◊ 6 202 790 81922 ◊ ◊ = B / W
ADJUSTABLE 0°- 20° / 50° INCL. 1 x POWERLED WHITE 0.3W EXCLLED POWER SUPPLY 500mA-DC 07 IP20		





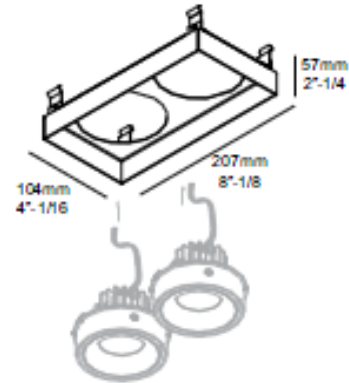
KIT x 85

MINIGRID IN TRIMLESS 1 FRAME

6 202 73 01 ♦
♦ = B / W

0.4

REQUIREMENTS
MINIGRID SNAP-IN
+
ROUGH-IN



KIT x 85

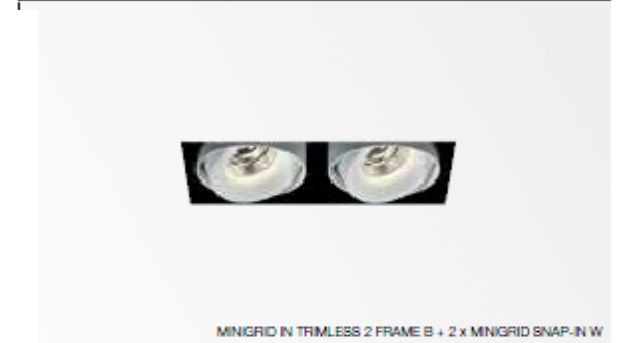
MINIGRID IN TRIMLESS 2 FRAME

6 202 73 02 ♦
♦ = B / W

0.7

REQUIREMENTS
2 x MINIGRID SNAP-IN
+
ROUGH-IN

MINIGRID IN TRIMLESS SI



CRI > 90	MINIGRID SNAP-IN
3500 K	LED [H] 10.4W / 1109lm / 500mA
REFL SP 18°	6 202 790 811 951 ♦ ♦ = B / W
REFL FL 33°	6 202 790 811 952 ♦ ♦ = B / W
REFL WFL 50° NEW	6 202 790 811 953 ♦ ♦ = B / W
3000 K	LED [H] 10.4W / 1075lm / 500mA
REFL SP 18°	6 202 790 811 931 ♦ ♦ = B / W
REFL FL 33°	6 202 790 811 932 ♦ ♦ = B / W
REFL WFL 50° NEW	6 202 790 811 933 ♦ ♦ = B / W
2700 K	LED [H] 10.4W / 1032lm / 500mA
REFL SP 18°	6 202 790 811 921 ♦ ♦ = B / W
REFL FL 33°	6 202 790 811 922 ♦ ♦ = B / W
REFL WFL 50° NEW	6 202 790 811 923 ♦ ♦ = B / W
	ADJUSTABLE 0° - 20° / 350° 0.7 IP20 IP23 DAMP
CRI > 90	MINIGRID SNAP-IN SOFT
2700 1800 K SOFT DIM	LED 10W / 565lm / 650mA
REFL WFL 40°	6 202 790 1902 ♦ ♦ = B / W
	ADJUSTABLE 0° - 20° / 350° ♦ CE 1.1 IP20 IP23 DAMP
	REQUIREMENTS LED POWER SUPPLY 650mA-DC DIM

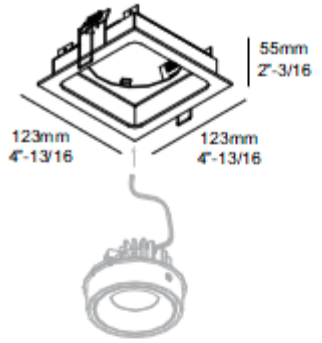
ROUGH-IN REQUIREMENTS

HOUSING FOR IC AND/OR AIRTIGHT APPLICATIONS

A		B		C1		C2		D		E1		E2	
RANGE	INSTALLATION TYPE	POWER & DIMMING		VOLTAGE		MOUNTING OPTION							
A	B	C1	C2	D	E1	E2							
MINIGRID IN TRIMLESS 1 FRAME SI	6 202 7	IC/NIC AT HOUSING S	43	12W 500MA 1-10V DIM*	19	3	120-277V	1	BAR HANGERS STANDARD				
			72	19W 500MA LUTRON ECO DIM**									
			90	15W 500MA MAINS DIM (FE)									
MINIGRID IN TRIMLESS 1 FRAME SI SOFT	6 202 7	IC/NIC AT HOUSING S	22	13W 650MA MAINS DIM (FE)	19	1	120V	1	BAR HANGERS STANDARD				
MINIGRID IN TRIMLESS 2 FRAME SI	6 202 2	IC/NIC AT HOUSING M	45	25W 500MA 1-10V DIM*	20	1	120-277V	1	BAR HANGERS STANDARD				
			63	11W 500MA MAINS DIM (FE)									
			89	27W 500MA LUTRON ECO DIM**									
MINIGRID IN TRIMLESS 2 FRAME SI SOFT	6 202 2	IC/NIC AT HOUSING M	22	13W 650MA MAINS DIM (FE)	20	1	120V	1	BAR HANGERS STANDARD				

PLASTERFRAME FOR NON-IC APPLICATIONS

A		B		C1		C2		D		E1		E2	
RANGE	INSTALLATION TYPE	POWER & DIMMING		VOLTAGE		MOUNTING OPTION							
A	B	C1	C2	D	E1	E2							
MINIGRID IN TRIMLESS 1 FRAME SI	6 202 01	NIC PLASTERFRAME S	43	12W 500MA 1-10V DIM*	19	1	120V	1	BAR HANGERS STANDARD				
			43	12W 500MA 1-10V DIM*									
			72	19W 500MA LUTRON ECO DIM**									
			90	15W 500MA MAINS DIM (FE)									
MINIGRID IN TRIMLESS 1 FRAME SI SOFT	6 202 01	NIC PLASTERFRAME S	22	13W 650MA MAINS DIM (FE)	19	1	120V	1	BAR HANGERS STANDARD				
MINIGRID IN TRIMLESS 2 FRAME SI	6 202 01	NIC PLASTERFRAME S	45	25W 500MA 1-10V DIM*	20	1	120V	1	BAR HANGERS STANDARD				
			45	25W 500MA 1-10V DIM*									
			63	11W 500MA MAINS DIM (FE)									
			89	27W 500MA LUTRON ECO DIM**									
MINIGRID IN TRIMLESS 2 FRAME SI SOFT	6 202 01	NIC PLASTERFRAME S	22	13W 650MA MAINS DIM (FE)	20	1	120V	1	BAR HANGERS STANDARD				

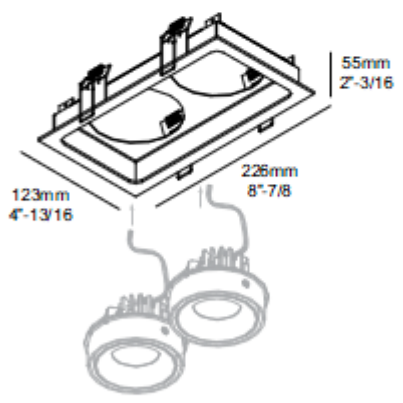


MINIGRID IN 1 FRAME

6 202 74 01 ◊
◊ = W-B / W-W

0.7

REQUIREMENTS
MINIGRID SNAP-IN
+
ROUGH-IN



MINIGRID IN 2 FRAME

6 202 74 02 ◊
◊ = W-B / W-W

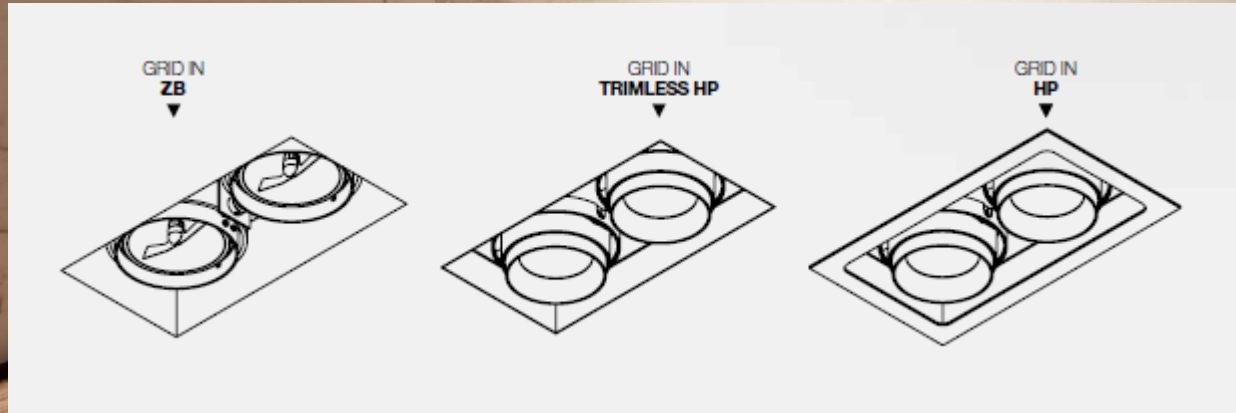
0.9

REQUIREMENTS
2 x MINIGRID SNAP-IN
+
ROUGH-IN



MINIGRID IN SI	
CRI > 90	MINIGRID SNAP-IN
3000 K	LED [H] 10.4W / 1109lm / 500mA
	6 202 700 811 051 ◊ ◊ = B / W
	6 202 700 811 052 ◊ ◊ = B / W
	NEW 6 202 700 811 053 ◊ ◊ = B / W
3000 K	LED [H] 10.4W / 1075lm / 500mA
	6 202 700 811 031 ◊ ◊ = B / W
	6 202 700 811 032 ◊ ◊ = B / W
	NEW 6 202 700 811 033 ◊ ◊ = B / W
2700 K	LED [H] 10.4W / 1032lm / 500mA
	6 202 700 811 021 ◊ ◊ = B / W
	6 202 700 811 022 ◊ ◊ = B / W
	NEW 6 202 700 811 023 ◊ ◊ = B / W
ADJUSTABLE 0° - 20° / 350°	
0.7 DAMP	
CRI > 90	MINIGRID SNAP-IN SOFT
2700 K	LED 10W / 565lm / 650mA
	6 202 700 1902 ◊ ◊ = B / W
ADJUSTABLE 0° - 30° / 350°	
1.1 DAMP	

GRID



GRID IN TRIMLESS HP SI



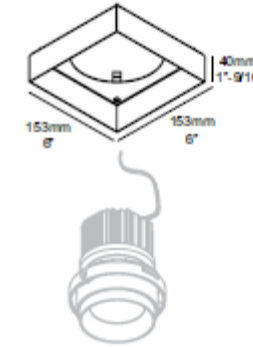
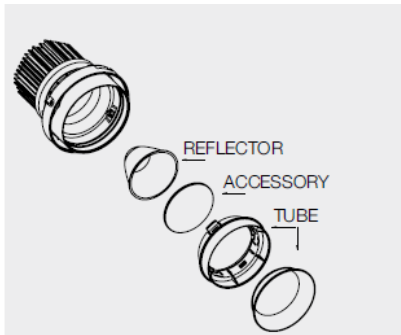
REFLECTOR 7369/H51 FL20°
414 99 20



REFLECTOR 7369/H51 FL38°
414 99 38



REFLECTOR 7365/H51 WFL50°
414 99 50

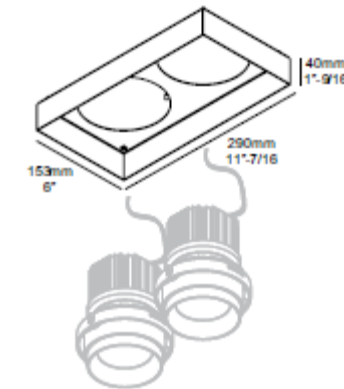


GRID IN TRIMLESS 1 HP FRAME

6 202 802 01 ◊
◊ = B / W

1.1

REQUIREMENTS
GRID IN HP SNAP-IN
+
ROUGH-IN



GRID IN TRIMLESS 2 HP FRAME

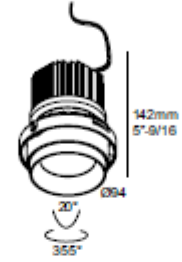
6 202 802 02 ◊
◊ = B / W

1.8

REQUIREMENTS
2 x GRID IN HP SNAP-IN
+
ROUGH-IN

GRID IN TRIMLESS HP SI

NEW



CRI > 90

GRID IN HP SNAP-IN

3500 K

LED [J] 16,8W / 2068lm / 500mA
LED [J] 24,3W / 2852lm / 700mA

6 202 801 211 950 ◊
◊ = B

3000 K

LED [J] 16,8W / 1995lm / 500mA
LED [J] 24,3W / 2752lm / 700mA

6 202 801 211 930 ◊
◊ = B

2700 K

LED [J] 16,8W / 1923lm / 500mA
LED [J] 24,3W / 2653lm / 700mA

6 202 801 211 920 ◊
◊ = B

ADJUSTABLE 0° - 20° / 355°

20 IP20 DAMP

REQUIREMENTS
GRID IN HP TUBE
+
REFLECTOR 7369/H51 FL20°
or
REFLECTOR 7369/H51 FL38°
or
REFLECTOR 7365/H51 WFL50°
ACCESSORIES
HONEYCOMB / LENS

GRID IN HP SI



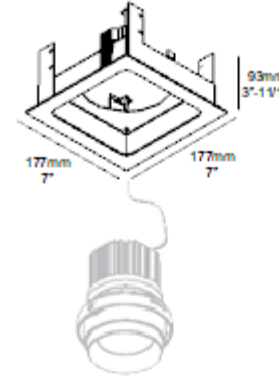
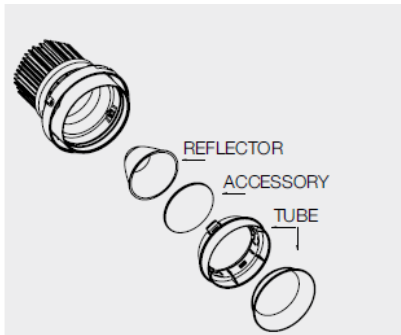
REFLECTOR 7369/H51 FL20°
414 99 20



REFLECTOR 7369/H51 FL38°
414 99 38



REFLECTOR 7365/H51 WFL50°
414 99 50

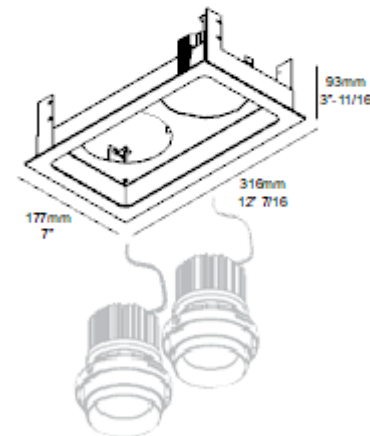


GRID IN 1 HP FRAME

6 202 801 01 ◊
◊ = W-B

2.9

REQUIREMENTS
GRID IN HP SNAP-IN
+
ROUGH-IN



GRID IN 2 HP FRAME

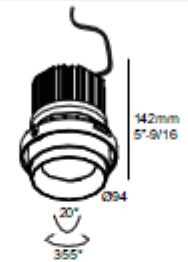
6 202 801 02 ◊
◊ = W-B

4.2

REQUIREMENTS
2 x GRID IN HP SNAP-IN
+
ROUGH-IN

GRID IN HP SI

NEW



CRI > 90

GRID IN HP SNAP-IN

3500 K

LED [J] 16,8W / 2068lm / 500mA
LED [J] 24,3W / 2852lm / 700mA

6 202 801 211 950 ◊
◊ = B

3000 K

LED [J] 16,8W / 1895lm / 500mA
LED [J] 24,3W / 2752lm / 700mA

6 202 801 211 930 ◊
◊ = B

2700 K

LED [J] 16,8W / 1823lm / 500mA
LED [J] 24,3W / 2653lm / 700mA

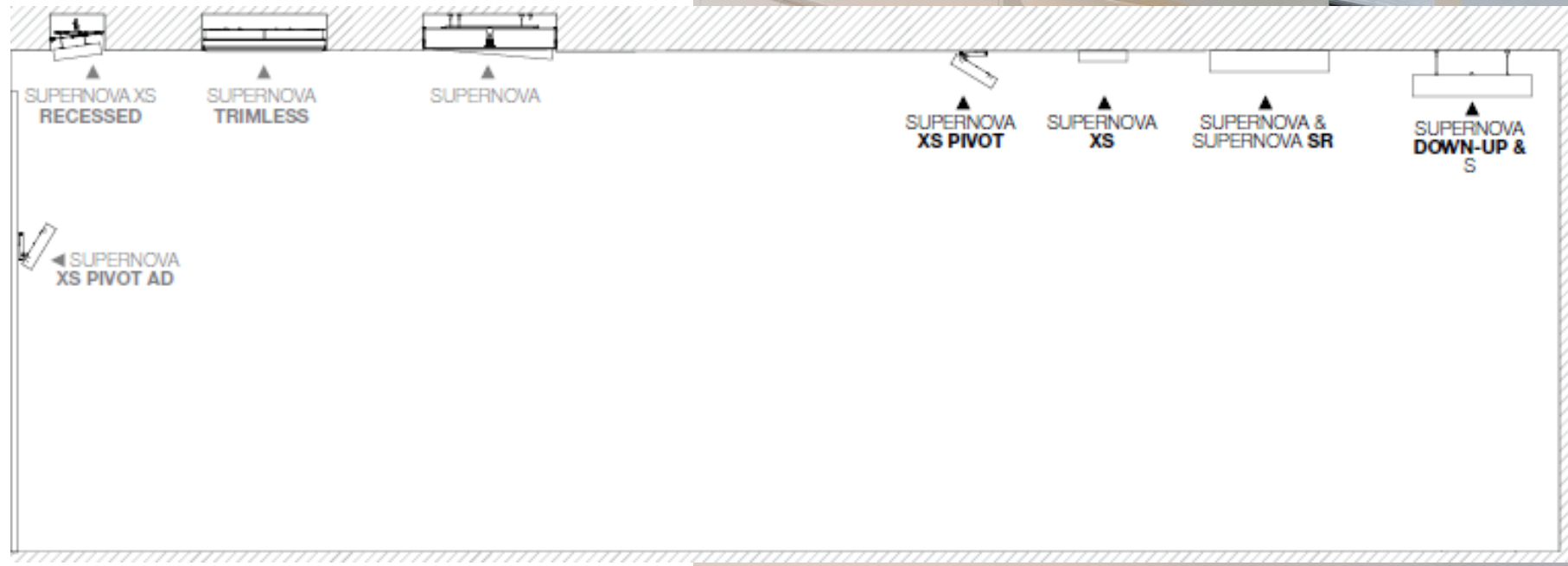
6 202 801 211 920 ◊
◊ = B

ADJUSTABLE 0° - 20° / 355°

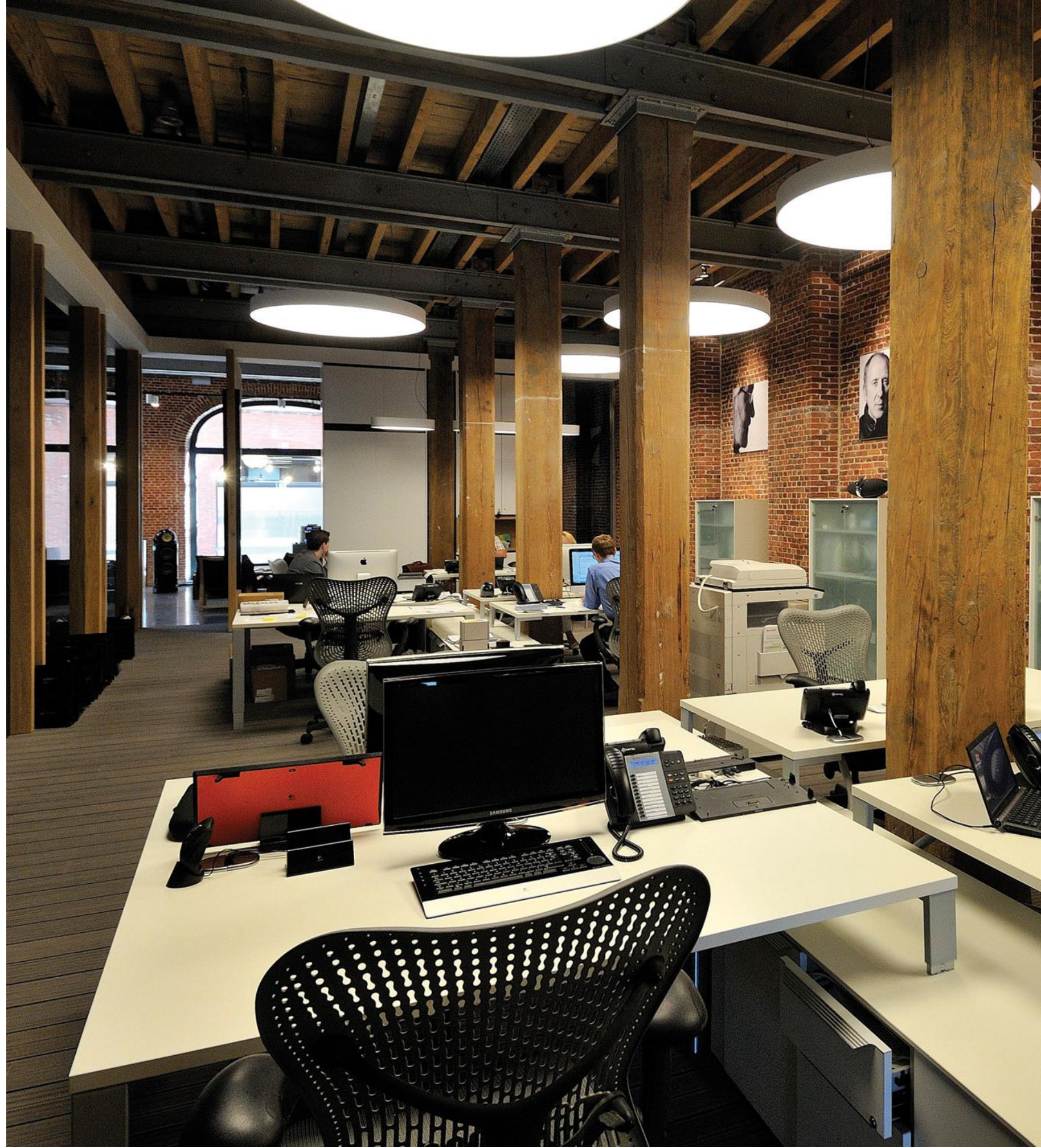
2.0 IP20 DAMP

REQUIREMENTS
GRID IN HP TUBE
+
REFLECTOR 7369/H51 FL20°
or
REFLECTOR 7369/H51 FL38°
or
REFLECTOR 7365/H51 WFL50°
ACCESSORIES
HONEYCOMB / LENS

SUPERNOVA



SUPERNOVA



On request the Supernova can be offered in any RAL color, matching the specific look and feel of your interior design.

DELTA LIGHT®

SUPERNOVA



SUPERNOVA









INT 238



2700
5700
K

LINE / PC SBL



SUPERNOVA XS RECESSED	SUPERNOVA TRIMLESS	SUPERNOVA
		
Ø 10"-1/4 - Ø 13"	Ø 26"-5/8 - Ø 38"-3/8 - Ø 50"-1/4	Ø 25"-5/8 - Ø 37"-3/8 - Ø 49"-1/4
ADJUSTABLE 0-8° / 360°	FIXED	FIXED
 SBL: FULL	 SBL: FULL	 PRISMA: LINE SBL: FULL & LINE
	T5 	T5 

SUPERNOVA

INT 332



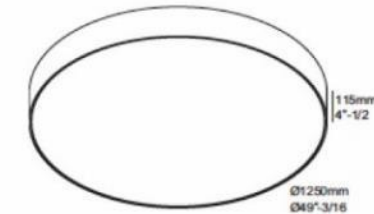
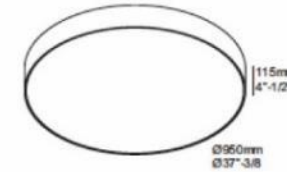
SUPERNOVA XS PIVOT	SUPERNOVA XS	SUPERNOVA	SUPERNOVA DOWN/UP
			
Ø 10"-1/4 - Ø 13"	Ø 10"-1/4 - Ø 13"	Ø 25"-5/8 - Ø 37"-3/8 - Ø 49"-3/16	Ø 25"-5/8 - Ø 37"-3/8 - Ø 49"-3/16
ADJUSTABLE 0-45°	FIXED	FIXED	FIXED
 SBL: FULL	 SBL: FULL	 SBL: FULL & LINE PRISMA: LINE	 SBL: LINE PRISMA: LINE
		T5 	T5 


SUPERNOVA DOWN-UP

INT 347



Supernova Down-Up



LINE	9800lm	23520lm	37240lm	
	<p>1-10V DIM</p> <p>2 Circuits</p>	<p>SUPERNOVA LINE 6583 DOWN-UP DIM1 ◊ 6 274 96 06 83 ED1 ◊ ◊ = W INCL PC SBL INCL 4 x CABLE SUSP. SINGLE AUTO. 9' INCL 2 x CABLE 5 x 18 AWG CABLING 2 CIRCUITS INCL LEDCLUSTER UP 15W / 3000K INCL LEDCLUSTER DOWN 60W / 3000K INCL DIMMABLE LED POWER SUPPLY DIMMING BY 1-10V 120-277V / 60Hz 19.1 IP20 OPTIONS COVERPLATE R 104 COVERPLATE S 103</p>	<p>SUPERNOVA LINE 9583 DOWN-UP DIM1 ◊ 6 274 96 09 83 ED1 ◊ ◊ = W INCL PC SBL INCL 4 x CABLE SUSP. SINGLE AUTO. 9' INCL 2 x CABLE 5 x 18 AWG CABLING 2 CIRCUITS INCL LEDCLUSTER UP 30W / 3000K INCL LEDCLUSTER DOWN 150W / 3000K INCL DIMMABLE LED POWER SUPPLY DIMMING BY 1-10V 120-277V / 60Hz 27.9 IP20 OPTIONS COVERPLATE R 104 COVERPLATE S 103</p>	<p>SUPERNOVA LINE 12583 DOWN-UP DIM1 ◊ 6 274 96 12 83 ED1 ◊ ◊ = W INCL PC SBL INCL 4 x CABLE SUSP. SINGLE AUTO. 9' INCL 2 x CABLE 5 x 18 AWG CABLING 2 CIRCUITS INCL LEDCLUSTER UP 45W / 3000K INCL LEDCLUSTER DOWN 240W / 3000K INCL DIMMABLE LED POWER SUPPLY DIMMING BY 1-10V 120-277V / 60Hz 36.5 IP20 OPTIONS COVERPLATE R 104 COVERPLATE S 103</p>

Superloop

The power of bold and basic geometry



SUPERLOOP

LIGHT EMITTING CIRCLE

BLACK / WHITE

HORIZONTAL OR VERTICAL

SBL OR PRIMATIC LENS

27" – 30.3W – 3500lm

36" – 38.7W – 3600lm

46" – 51.9W – 6000lm

66" – 73.5W – 8500lm

Superloop SBL/Spr



SUPERLOOP VR

SUPERLOOP VC



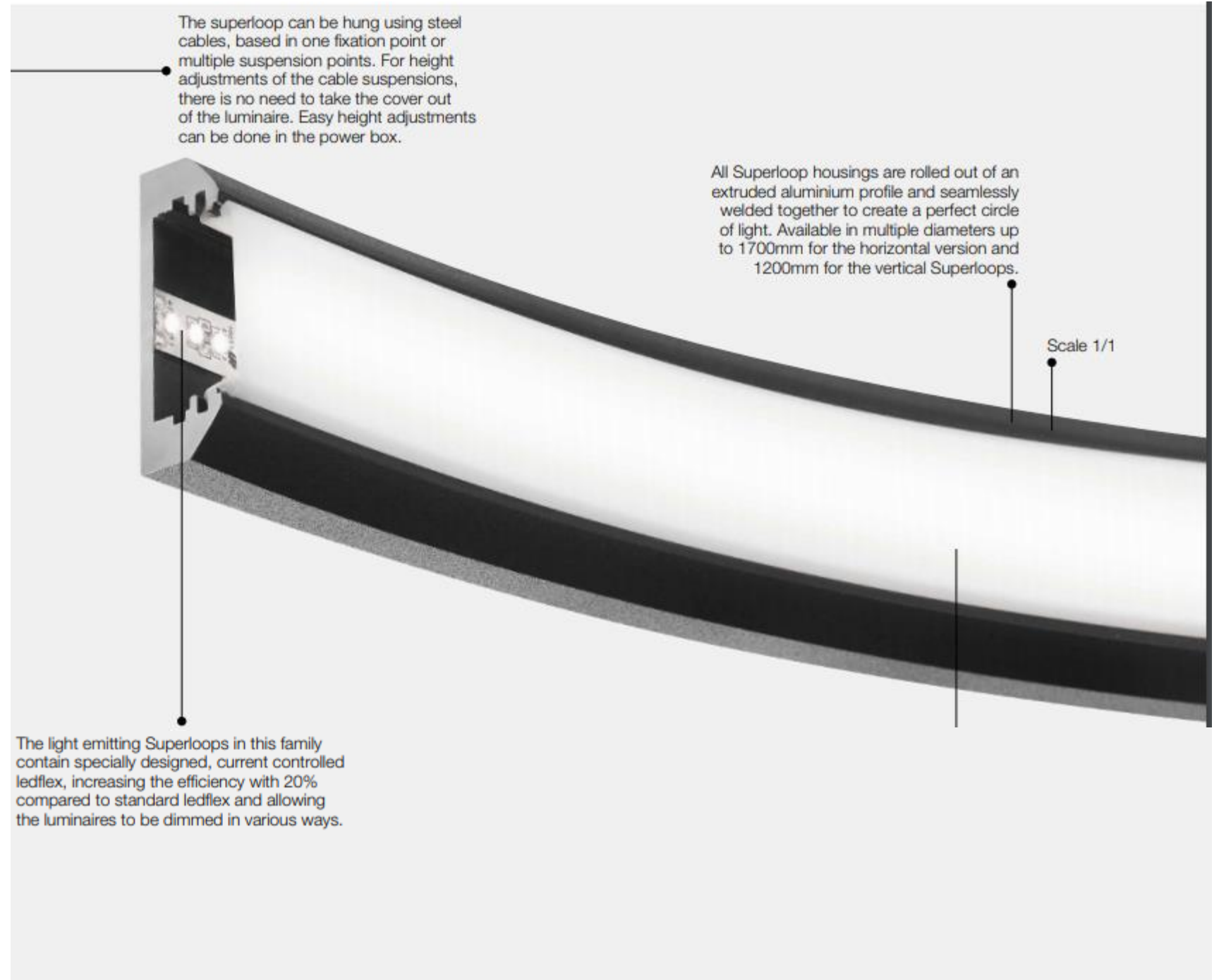
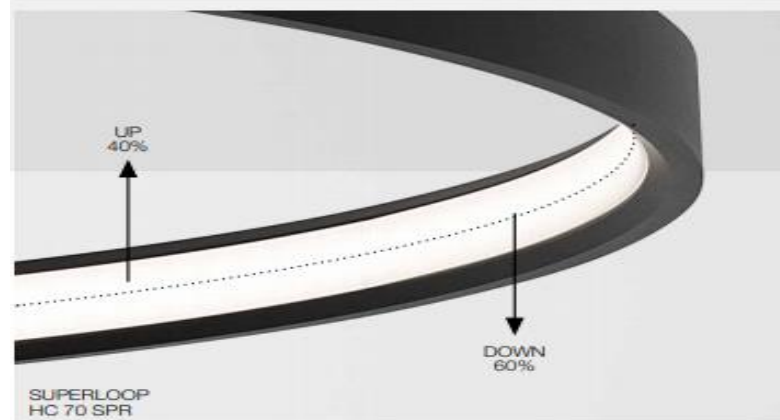
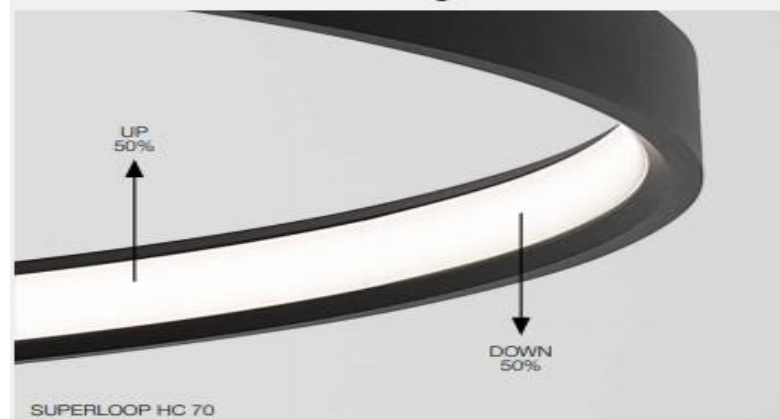
SUPERLOOP HC - POWER SUPPLY BOX

SUPERLOOP HC



SUPERLOOP HORIZONTAL

(HC) 9FT AIRCRAFT INSTALLATION



SUPERLOOP VERTICAL

(VC) 9FT AIRCRAFT INSTALLATION

(VR) 2FT ROD INSTALLATION



SUPERLOOP HC MDL

*MAGNETIC 48V TRACK

*BLACK

*HORIZONTAL

27",36",46",66"

SPY ON MDL

SPY ON HP MDL

SPY FOCUS ON MDL

MIDISPY ON MDL



Superloop HC MDL

Superloop HC MDL is available in a round or square shape with Delta Light custom engineered 48V low voltage conductors on the inside. This allows you to position and move light modules all around, offering maximum flexibility and allowing you to meet any need of the project. The Superloop HC MDL has a universal added value thanks to its contemporary appearance and diversity of applications.

The HC MDL version features a revolutionary plug and play system, offering you the flexibility of track lighting in combination with a simple curvy geometric shape, resulting in an extraordinary fusion of light and space.

The 48V Spy Modules on the Superloop MDL can be dimmed with the new 48V dimmable modulators.

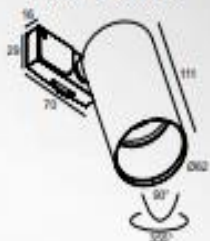


Superloop HC MDL

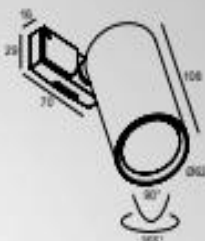
SUPERLOOP-MIDSPY ON MDL
6W / 558lm / 20°
9.5W / 755lm / 40°



SUPERLOOP-SPY ON MDL
10.4W / 1075lm / 18°-33°
SUPERLOOP-SPY ON HP MDL
16.8W / 1995lm / 33°



SUPERLOOP-SPY FOCUS ON MDL
10.4W / 1075lm / 11° to 44°



The 48V Superloop comes in different kind of shapes and dimensions, perfect to fit any type of project. Square versions in 600mm by 600mm or 900mm by 900mm, rectangular versions in 1100mm or 1700mm by 250mm or - similar to the SBL version - circular Superloops with diameters from 700mm up to 1700mm, all of them seamlessly welded together to avoid any visual joints.

Spy modules can be mounted, fixed and removed tool-free. You can play with the number and position of the modules (up to 200W) anywhere in the loop, to match aesthetical preferences or to meet the exact lighting requirements of your projects.



SMART 48 IN

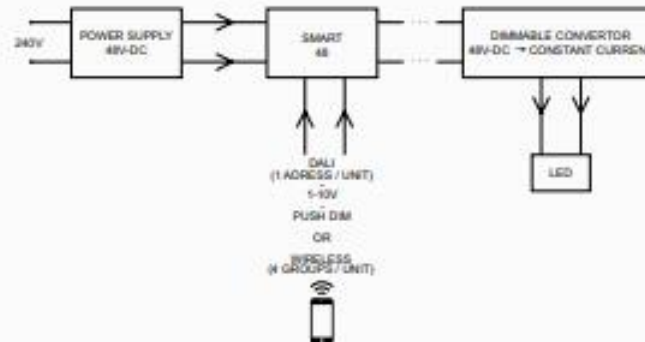
Although invisible to the eye, the carbon 2-wire conductor in the curved and rectangular Superloops create a closed 48V circuit, allowing immediate functionality to all Spy modules that are being locked into the profile.

Moreover, the two conductors not only suffice for 48V power but Superloop MDL can also be dimmed with Smart 48.

It collects the power from the 48V power supply and combines it with a DALI, 1-10V or Touch Dim input to send to the dimmable 48V converter in the luminaire. In this way dimming can be done by only using 2 wires - for both power and dimming - or it can even be done wireless when choosing for the Wireless Dimmable Modulator, based on CTRL DELTA.

CTRL DELTA

With CTRL Delta, Delta Light offers user-friendly solutions for an easy wireless control of the Spy modules on the Superloop. The dimmable LED converter is embedded in the head itself and is responsible for translating the incoming 48V into a current controlled signal for the LED module. By combining CTRL Delta with Smart 48, also dimming of the 48V set-up is possible.



The Superloop combines perfectly with the versatile Spy range, designed to meet multiple lighting requirements, an ideal solution for accent lighting in residential or commercial spaces. The range features low to high lumen packages, narrow to wide beam options, different color finishes and can be equipped with multiple light refining accessories.

A brand-new addition to the range is the Spy Focus. This newest edition enables you to apply a highly contoured circle of light, adjustable from 11° to 44°, by simply rotating the front ring of the Spy Focus.



ADJUSTABLE BEAM 11° TO 44°

SUPERLOOP S HC MDL

*MAGNETIC SQUARE 48V TRACK

*BLACK

*HORIZONTAL

23",36" SQUARE

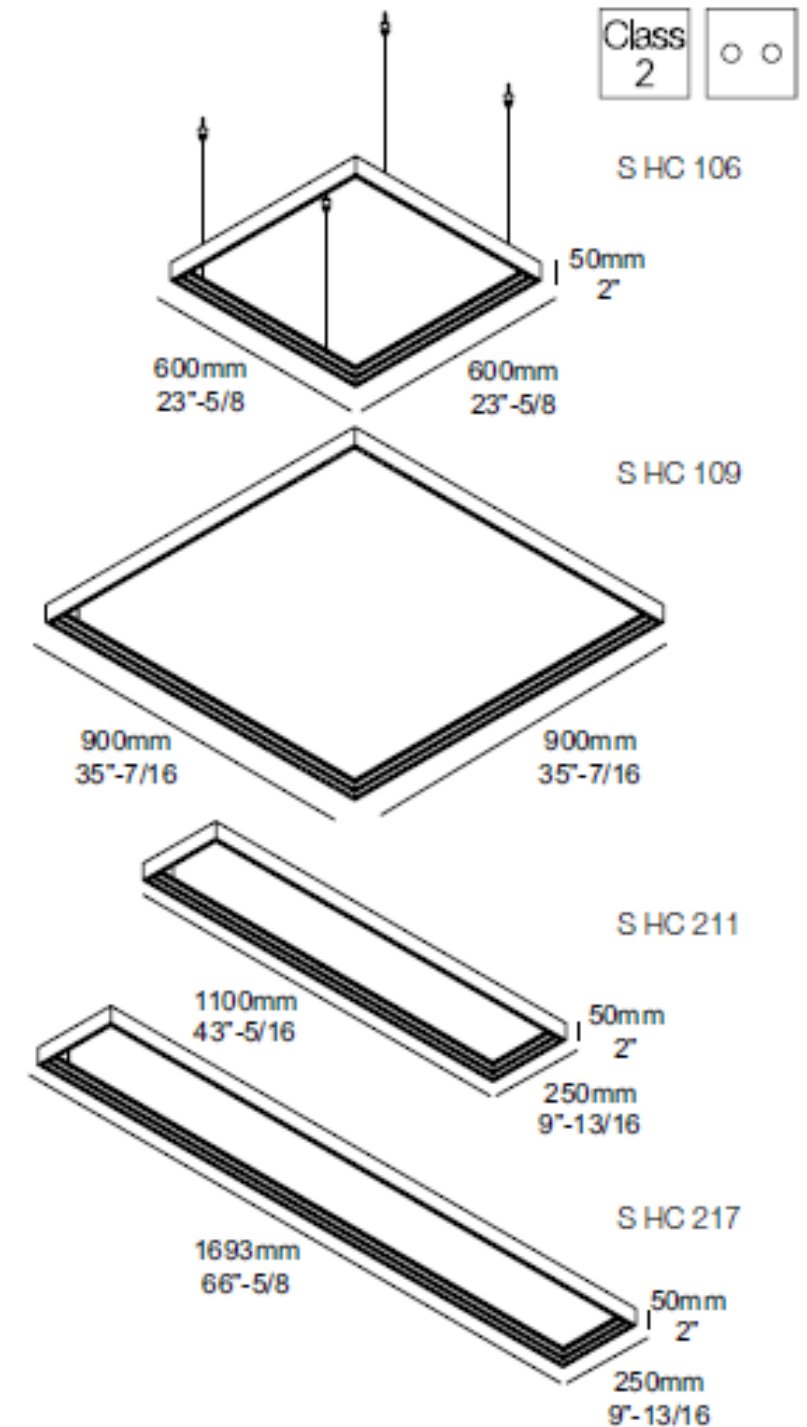
9"x 43", 9"x 66" RECTANGLE

SPY ON MDL

SPY ON HP MDL

SPY FOCUS ON MDL

MIDISPY ON MDL





INTERIOR CEILING SURFACE / SUSPENDED



Options

FULL INFO / PAG TEC

INSTALLATION

MUD KIT 2 4"-1/16 x 4"-1/16 x 1/2"

6 207 02 02

COVERPLATE S 112 6 204 99 112 Ø = A / B / W / G

COVERPLATE S 114 6 204 99 114 Ø = A / B / W / G

Accessories

BOXY HONEYCOMB Ø 01"-3/4 / H3/16" 251 70 03 01 Ø = B / W

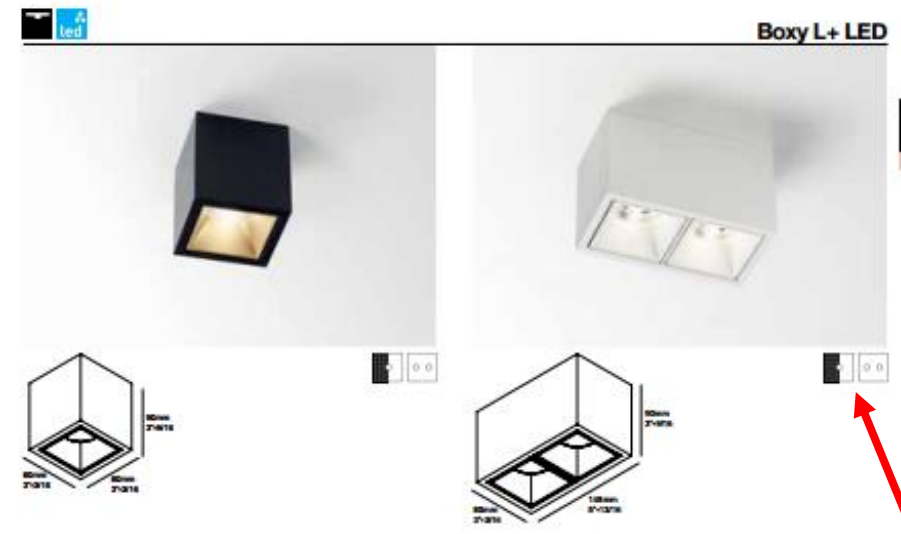
BOXY SOFTENING LENS Ø 01"-3/4 / H3/16" 251 70 03 04 Ø = B / W

BOXY GLASS SBL Ø 01"-3/4 / H3/16" 251 70 03 05 Ø = B / W

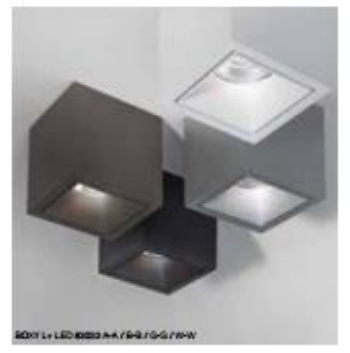


BOXY L+ LED 8020 W41 - BOXY HONEYCOMB Ø

INTERIOR CEILING SURFACE / SUSPENDED



	CRI > 80	CRI > 90	CRI > 80	CRI > 90
4000K	CONTACT FACTORY		CONTACT FACTORY	
3000K	682m (7W)	565m (7W)	2x 682m (7W)	2x 565m (7W)
REFLECTOR FL-33"	BOXY L+ LED 3033 DIM1 Ø 6 251 67 8122 ED1 Ø = A-A / B-B / B-MMAT / G-G / W-W	BOXY L+ LED 3033-9 DIM1 Ø 6 251 67 89122 ED1 Ø = A-A / B-B / B-MMAT / G-G / W-W	BOXY 2 L+ LED 3033 DIM1 Ø 6 251 67 8222 ED1 Ø = A-A / B-B / B-MMAT / W-W	BOXY 2 L+ LED 3033-9 DIM1 Ø 6 251 67 89222 ED1 Ø = A-A / B-B / B-MMAT / W-W
2700K	618m (7W)	525m (7W)	2x 618m (7W)	2x 525m (7W)
REFLECTOR FL-33"	BOXY L+ LED 2733 DIM1 Ø 6 251 67 8123 ED1 Ø = A-A / B-B / B-MMAT / G-G / W-W	BOXY L+ LED 2733-9 DIM1 Ø 6 251 67 89123 ED1 Ø = A-A / B-B / B-MMAT / G-G / W-W	BOXY 2 L+ LED 2733 DIM1 Ø 6 251 67 8223 ED1 Ø = A-A / B-B / B-MMAT / W-W	BOXY 2 L+ LED 2733-9 DIM1 Ø 6 251 67 89223 ED1 Ø = A-A / B-B / B-MMAT / W-W
	INCL.1 x POWERLED WHITE 7W INCL.DIMMABLE LED POWER SUPPLY 350mA-DC DIMMING BY 1-10V 120-277V / 60Hz IP20		INCL.2 x POWERLED WHITE 7W INCL.DIMMABLE LED POWER SUPPLY 350mA-DC DIMMING BY 1-10V 120-277V / 60Hz IP20	
	OPTIONS MUD KIT 2 COVERPLATE S 114		OPTIONS MUD KIT 2 COVERPLATE S 112	
	ACCESSORIES BOXY HONEYCOMB BOXY SOFTENING LENS BOXY GLASS SBL		ACCESSORIES BOXY HONEYCOMB BOXY SOFTENING LENS BOXY GLASS SBL	



BOXY L+ LED 8020 AA / B-B / G-G / W-W

INTERIOR CEILING SURFACE / SUSPENDED



FULL INFO / PAG TEC **Options**

INSTALLATION
 MUD KIT 2 4"-1/16 x 4"-1/16 x 1/2"
 S 207 02 02

COVERPLATE S 112
 S 204 99 112 Ø
 Ø = A / B / W / G

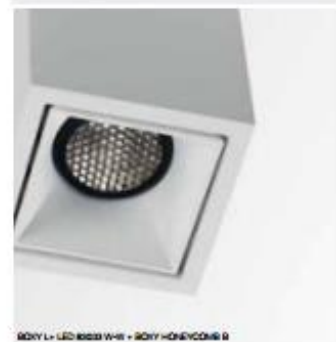
COVERPLATE S 114
 S 204 99 114 Ø
 Ø = A / B / W / G

FULL INFO / PAG TEC **Accessories**

BOXY HONEYCOMB Ø 01"-3/4 / H3/16"
 S 251 70 03 01 Ø
 Ø = B / W

BOXY SOFTENING LENS Ø 01"-3/4 / H3/16"
 S 251 70 03 04 Ø
 Ø = B / W

BOXY GLASS SBL Ø 01"-3/4 / H3/16"
 S 251 70 03 05 Ø
 Ø = B / W



BOXY L+ LED 1020 W-W + BOXY HONEYCOMB Ø

INTERIOR CEILING SURFACE / SUSPENDED

Boxy L+ LED



- 4000K
- 3000K
- REFLECTOR FL-33"
- 2700K
- REFLECTOR FL-33"

- Ø DIM1 Ø
- AT / W-W
- Ø DIM1 Ø
- AT / W-W

BOXY L+ LED 1020 A-A / B-B / G-G / W-W



INTERIOR CEILING SURFACE / SUSPENDED

Requirements

FULL INFO / PAG TEC

INSTALLATION

MUD KIT 1 6 207 02 01	4"-1/16" x 4"-1/16" x 1/2"
MUD KIT 2 6 207 02 02	4"-1/16" x 4"-1/16" x 1/2"

COVERPLATE R 117
6 204 00 117 ◊
◊ = W / B

COVERPLATE R 118
6 204 00 118 ◊
◊ = W / B

Accessories

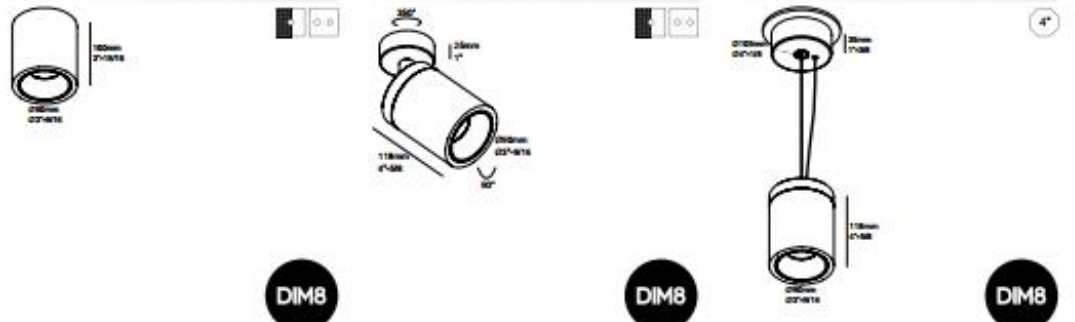
FULL INFO / PAG TEC

BOXY HONEYCOMB ◊ 251 70 03 01 ◊ ◊ = B / W	Ø1"-3/4" / H3/16"	
BOXY SOFTENING LENS ◊ 251 70 03 04 ◊ ◊ = B / W	Ø1"-3/4" / H3/16"	
BOXY GLASS SBL ◊ 251 70 03 05 ◊ ◊ = B / W	Ø1"-3/4" / H3/16"	



BOXY R 8203 8-8 - BOXY HONEYCOMB

INTERIOR CEILING SURFACE / SUSPENDED



	CRI > 80	CRI > 90 (x= CONTACT FACTORY)		CRI > 80	CRI > 90 (x= CONTACT FACTORY)		CRI > 80	CRI > 90 (x= CONTACT FACTORY)
4000K								
3000K								
REFLECTOR FL-33°								
2700K								
REFLECTOR FL-33°								

<p>INCL. 1 x POWERLED WHITE 9.3W INCL. DIMMABLE LED POWER SUPPLY 500mA-DC MAINS DIMMING 120V / 60Hz</p> <p>IP53</p> <p>REQUIREMENTS MUD KIT 2 COVERPLATE R 117</p> <p>ACCESSORIES BOXY HONEYCOMB BOXY SOFTENING LENS BOXY GLASS SBL</p>	<p>ADJUSTABLE 0° - 90° / 350° INCL. 1 x POWERLED WHITE 9.3W INCL. DIMMABLE LED POWER SUPPLY 500mA-DC MAINS DIMMING 120V / 60Hz</p> <p>IP20</p> <p>REQUIREMENTS MUD KIT 1 COVERPLATE R 118</p> <p>ACCESSORIES BOXY HONEYCOMB BOXY SOFTENING LENS BOXY GLASS SBL</p>	<p>INCL. 1 x POWERLED WHITE 9.3W INCL. DIMMABLE LED POWER SUPPLY 500mA-DC MAINS DIMMING INCL. 1 x CABLE 3 x 18 AWG INCL. 1 x CABLE SUSP. SINGLE AUTO 5' 120V / 60Hz</p> <p>IP20</p> <p>ACCESSORIES BOXY HONEYCOMB BOXY SOFTENING LENS BOXY GLASS SBL</p>
--	---	---

INTERIOR CEILING SURFACE / SUSPENDED

FULL INFO / PAG TEC **Requirements**

INSTALLATION

MUD KIT 1 6 207 02 01	4"-1/16" x 4"-1/16" x 1/2"
MUD KIT 2 6 207 02 02	4"-1/16" x 4"-1/16" x 1/2"
COVERPLATE R 117 6 204 00 117 Ø Ø = W / B	
COVERPLATE R 118 6 204 00 118 Ø Ø = W / B	

FULL INFO / PAG TEC **Accessories**

BOXY HONEYCOMB Ø 251 70 03 01 Ø Ø = B / W	Ø1"-3/4" / H3/16"	
BOXY SOFTENING LENS Ø 251 70 03 04 Ø Ø = B / W	Ø1"-3/4" / H3/16"	
BOXY GLASS SBL Ø 251 70 03 05 Ø Ø = B / W	Ø1"-3/4" / H3/16"	



BOXY R 8203 8-B / W-W



BOXY R 8203 8-B - BOXY HONEYCOMB

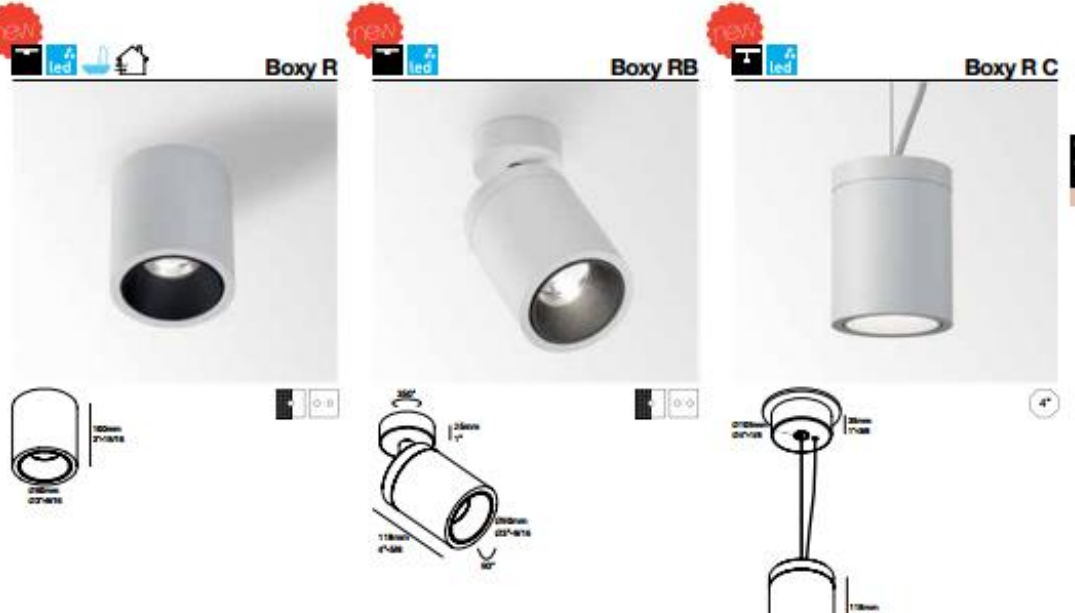
4000K

3000K

REFLECTOR FL-33°

2700K

REFLECTOR FL-33°



INTERIOR CEILING SURFACE / SUSPENDED

CRi > 80

CONTACT FACTORY

945lm (9.3W)

BOXY R 83033 DIM8 Ø
6 251 70 81832 EDS Ø
Ø = B-B / B-MMAT /
W-B / W-W

803lm (9.3W)

BOXY R 82733 DIM8 Ø
6 251 70 81822 EDS Ø
Ø = B-B / B-MMAT /
W-B / W-W

INCL. 1 x POWERLED WHITE
INCL. DIMMABLE LED POW
MAINS DIMMING
120V / 60Hz

IP53

REQUIREMENTS
MUD KIT 2
COVERPLATE R 117

ACCESSORIES
BOXY HONEYCOMB
BOXY SOFTENING LENS
BOXY GLASS SBL



DIM8

CONTACT FACTORY

803 DIM8 Ø
12 EDS Ø
MAT /

733 DIM8 Ø
12 EDS Ø
MAT /

9mA-DC

INTERIOR CEILING SURFACE / SUSPENDED


Requirements

FULL INFO / PAG TEC	
INSTALLATION	
MUD KIT 1 S 207 02 01	4"-1/16" x 4"-1/16" x 1/2"
MUD KIT 2 S 207 02 02	4"-1/16" x 4"-1/16" x 1/2"
COVERPLATE R 117 S 204 00 117 ◊ ◊ = W / B	
COVERPLATE R 118 S 204 00 118 ◊ ◊ = W / B	

Accessories

BOXY HONEYCOMB ◊ S 251 70 03 01 ◊ ◊ = B / W	Ø1"-3/4" / H3/16"	
BOXY SOFTENING LENS ◊ S 251 70 03 04 ◊ ◊ = B / W	Ø1"-3/4" / H3/16"	
BOXY GLASS SBL ◊ S 251 70 03 05 ◊ ◊ = B / W	Ø1"-3/4" / H3/16"	

Accessories

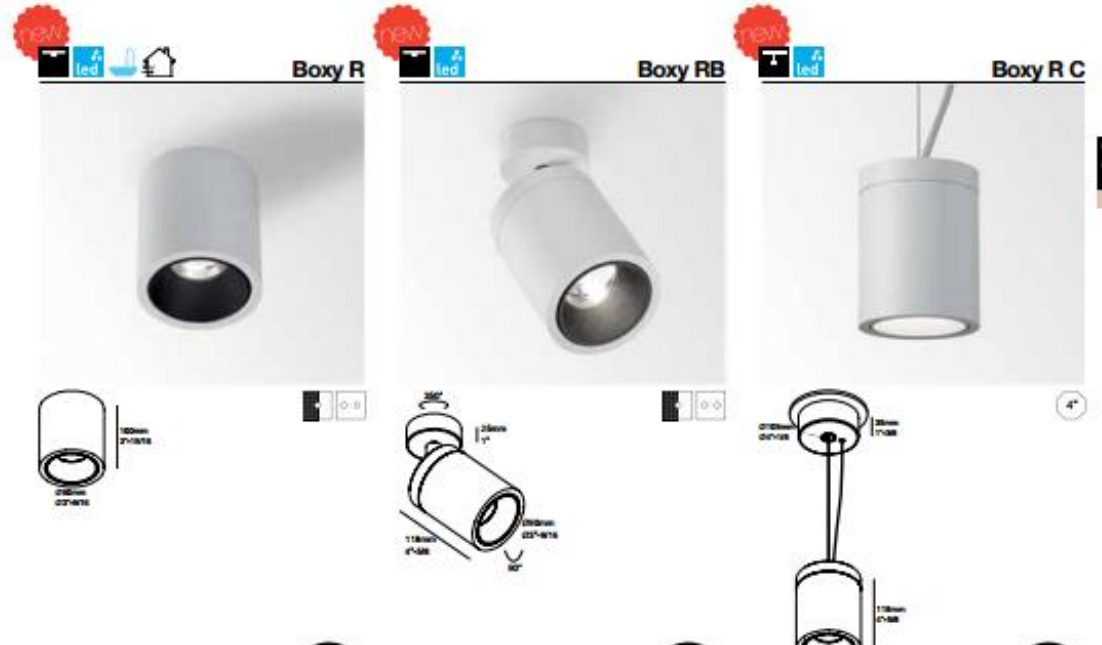
BOXY HONEYCOMB ◊ S 251 70 03 01 ◊ ◊ = B / W	Ø1"-3/4" / H3/16"	
BOXY SOFTENING LENS ◊ S 251 70 03 04 ◊ ◊ = B / W	Ø1"-3/4" / H3/16"	
BOXY GLASS SBL ◊ S 251 70 03 05 ◊ ◊ = B / W	Ø1"-3/4" / H3/16"	



BOXY R 83033 B-B + BOXY HONEYCOMB

4000K	REFLECTOR FL-33°
3000K	REFLECTOR FL-33°
2700K	REFLECTOR FL-33°

INTERIOR CEILING SURFACE / SUSPENDED



BOXY R 83033 B-B + BOXY HONEYCOMB

CR8 > 80	CONTACT FACTORY
945lm (9.3W)	83033 DIM8 ◊ S 251 70 81832 EDS ◊ ◊ = B-B / B-MMAT / W-B / W-W
803lm (9.3W)	8333 DIM8 ◊ S 251 70 81832 EDS ◊ ◊ = B-B / B-MMAT / W-B / W-W
INCL. 1 x POWERLED WHIT INCL. DIMMABLE LED POW MAINS DIMMING 120V / 60Hz	8mA-DC
IP53	
REQUIREMENTS MUD KIT 2 COVERPLATE R 117	
ACCESSORIES BOXY HONEYCOMB BOXY SOFTENING LENS BOXY GLASS SBL	

INTERIOR CEILING SURFACE / SUSPENDED

Requirements

FULL INFO / PAG TEC

INSTALLATION

MUD KIT 1 6 207 02 01	4"-1/16 x 4"-1/16 x 1/2"
MUD KIT 2 6 207 02 02	4"-1/16 x 4"-1/16 x 1/2"

COVERPLATE R 117
6 204 00 117 ϕ
 $\phi = W/S$

COVERPLATE R 118
6 204 00 118 ϕ
 $\phi = W/S$

Accessories

FULL INFO / PAG TEC

BOXY HONEYCOMB ϕ 251 70 03 01 ϕ	Ø1"-3/4 / H3/16"	
BOXY SOFTENING LENS ϕ 251 70 03 04 ϕ	Ø1"-3/4 / H3/16"	
BOXY GLASS SBL ϕ 251 70 03 05 ϕ	Ø1"-3/4 / H3/16"	



BOXY R 11003 9-6 - BOXY HONEYCOMB

INTERIOR CEILING SURFACE / SUSPENDED



new

Boxy R AD

DIM8

	CRI > 80	CRI > 90 (w/ CONTACT FACTORY)
95m (9.3W)	945m (9.3W)	730m (9.3W)
BOXY R 93033 DIM8 ϕ 6 251 74 81932 EDS ϕ $\phi = B-B / B-MMAT / W-B / W-W$	BOXY R C 93033 DIM8 ϕ 6 251 75 81932 EDS ϕ $\phi = B-B / B-MMAT / W-B / W-W$	BOXY R C 93033 DIM8 ϕ 6 251 75 81932 EDS ϕ $\phi = B-B / B-MMAT / W-B / W-W$
95m (9.3W)	823m (9.3W)	656m (9.3W)
BOXY R 92733 DIM8 ϕ 6 251 74 81922 EDS ϕ $\phi = B-B / B-MMAT / W-B / W-W$	BOXY R C 92733 DIM8 ϕ 6 251 75 81922 EDS ϕ $\phi = B-B / B-MMAT / W-B / W-W$	BOXY R C 92733 DIM8 ϕ 6 251 75 81922 EDS ϕ $\phi = B-B / B-MMAT / W-B / W-W$

INCL. 1 x POWERLED WHITE 9.3W
INCL. DIMMABLE LED POWER SUPPLY 500mA-DC
MAINS DIMMING
INCL. 1 x CABLE 3 x 18 AWG
INCL. 1 x CABLE SUSP. SINGLE AUTO 5'
130V / 60Hz

IP20

ACCESSORIES
BOXY HONEYCOMB
BOXY SOFTENING LENS
BOXY GLASS SBL

COVERPLATE R 117
ACCESSORIES
BOXY HONEYCOMB
BOXY SOFTENING LENS
BOXY GLASS SBL

MUD KIT 1
COVERPLATE R 118
ACCESSORIES
BOXY HONEYCOMB
BOXY SOFTENING LENS
BOXY GLASS SBL

	Ø BODY	BASE			LAMP	POWER SUPPLY	PAGE
MIDISPY 	Ø45 1"-3/4	 Ø50 2"	✓	-	LED	EXCL.	INT 241
		 170 x 45 x 45 6"-11/16 x 1"-3/4 x 3"-3/4	✓	-	LED		INT 243
		 248 x 45 x 45 9"-3/4 x 1"-3/4 x 3"-3/4	✓	-	LED		INT 243
		 418 x 45 x 45 16"-7/16 x 1"-3/4 x 3"-3/4	✓	-	LED		INT 243
SPY 	Ø62 2"-7/16	 Ø70 2"-3/4	✓	-	LED	EXCL.	INT 245
		 Ø70 2"-3/4	✓	-	Hi	-	INT 245
		 Ø84 3"-5/16	-	✓	LED		INT 247
		 170 x 45 x 45 6"-11/16 x 1"-3/4 x 3"-3/4	✓	-	LED		INT 249
		 248 x 45 x 45 9"-3/4 x 1"-3/4 x 3"-3/4	✓	-	LED		INT 249
		 418 x 45 x 45 16"-7/16 x 1"-3/4 x 3"-3/4	✓	-	LED		INT 249
MAXISPY 	Ø90 3"-9/16	 Ø70 2"-3/4	✓	-	LED		INT 253

CRI > 80

MIDISPY ON

3500 K

LED [C] 6W / 558lm / 500mA

LENS FL 20°

6 414 262 852 ◇
◇ = B / W

CRI > 90

SPY ON HP

3500 K

LED [J] 16.8W / 2068lm / 500mA

CRI > 80

SPY ON

3500 K

LED [C] 6W / 558lm / 500mA

CRI > 90

MAXISPY ON

3500 K

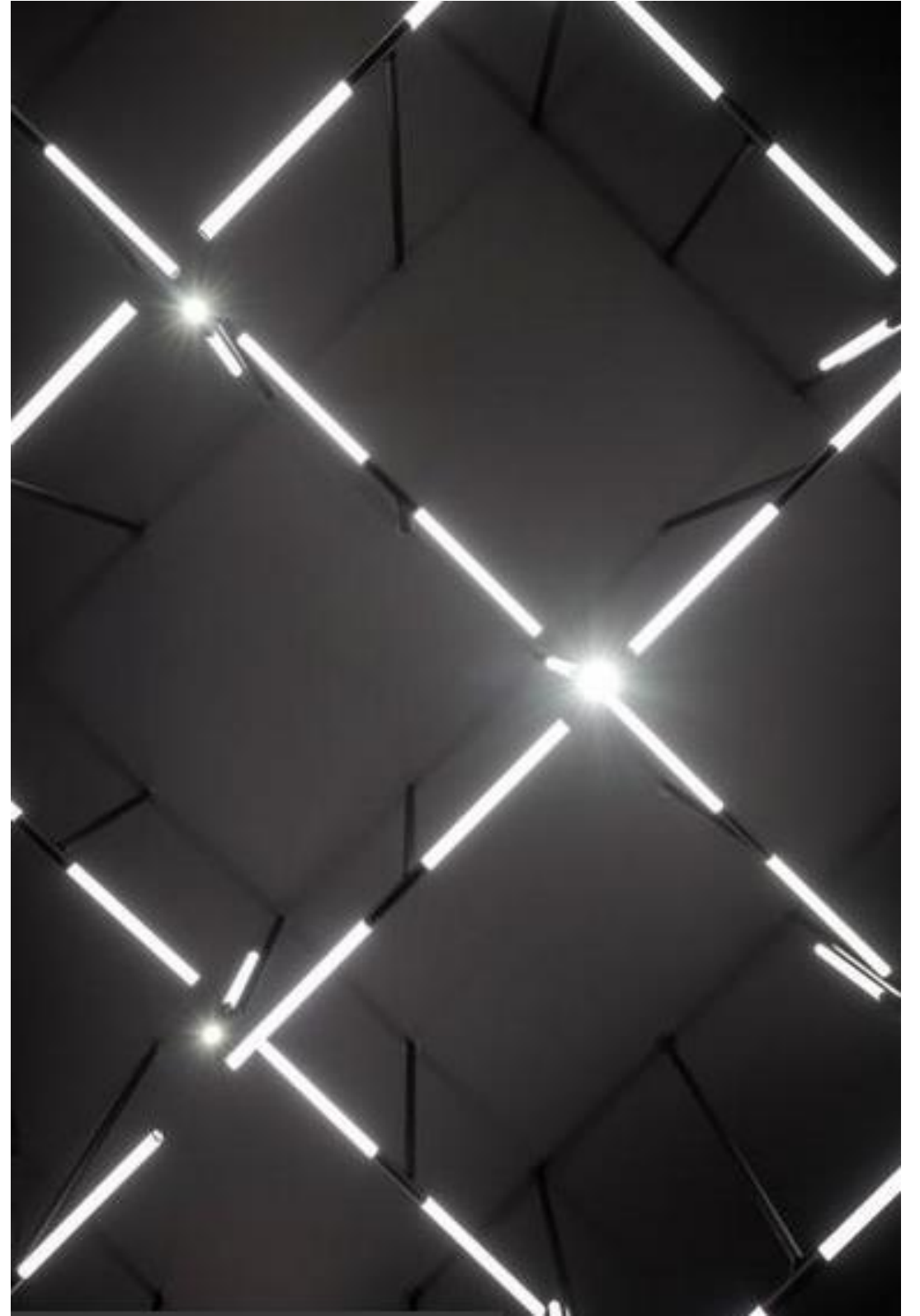
LED 24.3W / 2852lm / 700mA



XY180
BY OMA

OMA IS is known for landmark projects worldwide such as Fondazione Prada in Milan, Garage Museum of Contemporary Art in Moscow, Faena District in Miami and CCTV Headquarters in Beijing amongst other.

—
The design ambition was to step away from a luminaire that simply relied on shape, towards a design focused on performance
—



XY180

HINGED LINEAR

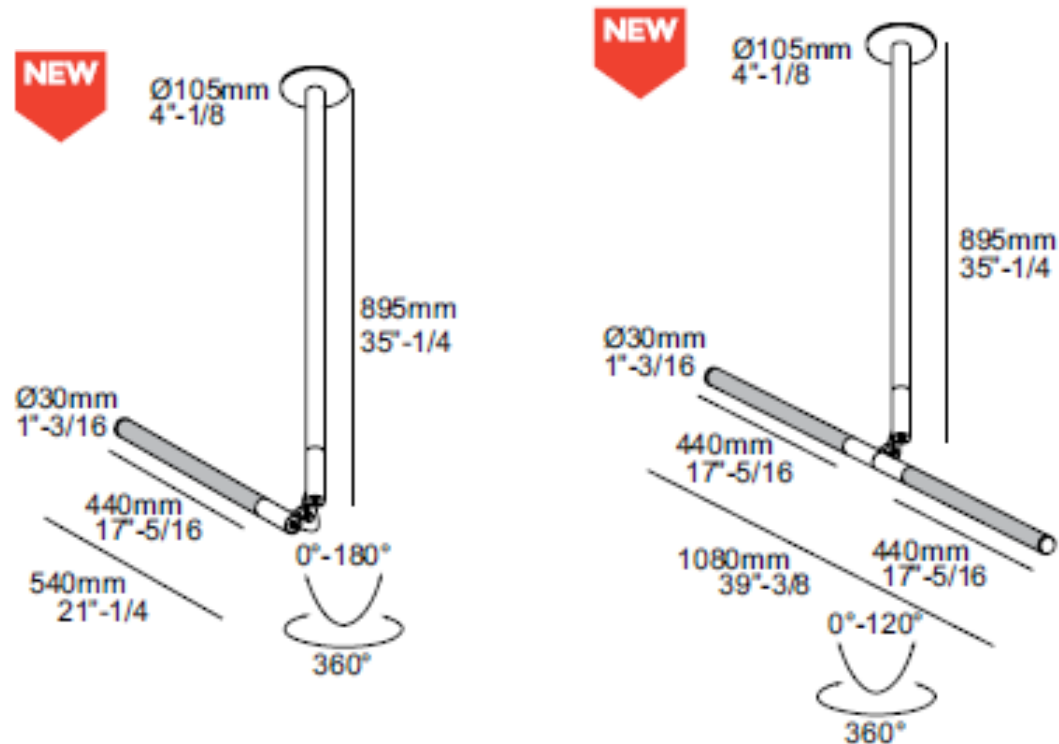
LINEAR LED CLUSTER – 8.5W / 1200lm

S81-35" – SINGLE LED LINEAR CLUSTER

S82-35" – DOUBLE LED LINEAR CLUSTER

S121-51" – SINGLE LED LINEAR CLUSTER

S122-51" – DOUBLE LED LINEAR CLUSTER



XY180 MINI SPOT

CLUSTER-7.5W

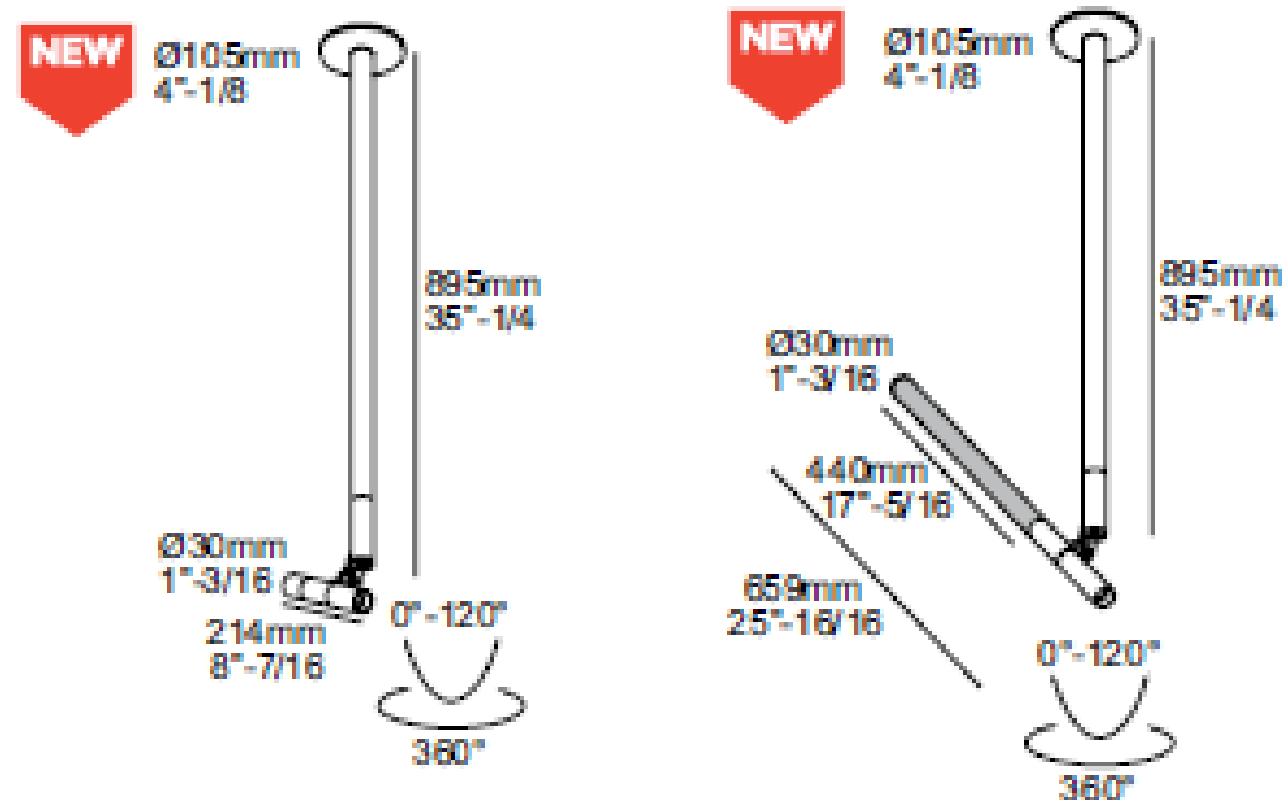
LED-4.1W - FL20°

S80-35" – SINGLE LED

S81-35" – SINGLE LED + LINEAR CLUSTER

S121-51" – SINGLE LED

S122-51" – SINGLE LED + LINEAR CLUSTER





XY180 PUNK

LINE 7.5W

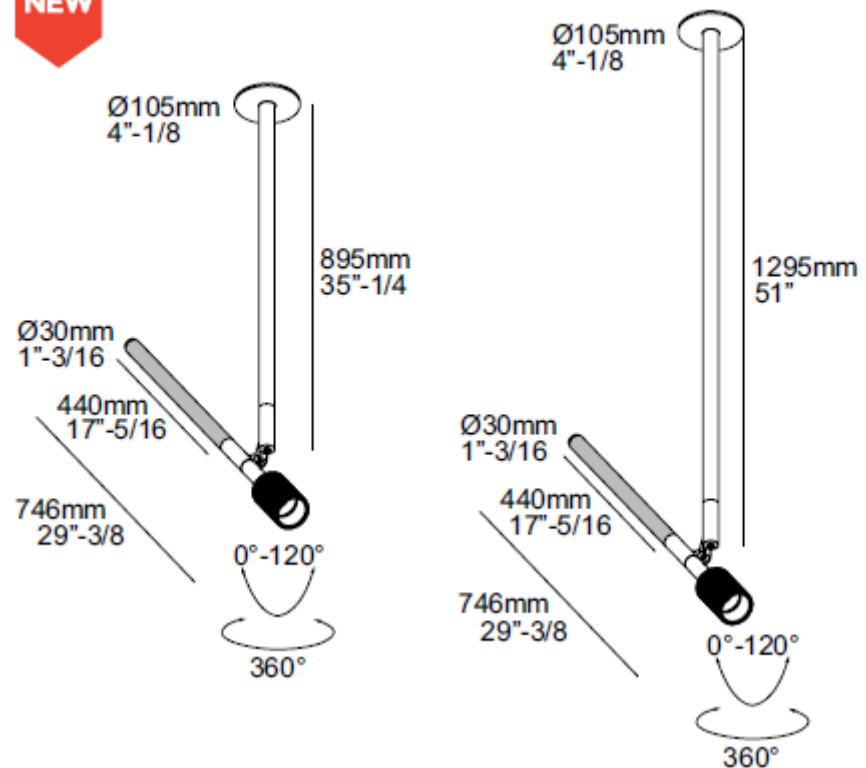
LED 8.5W - FL33

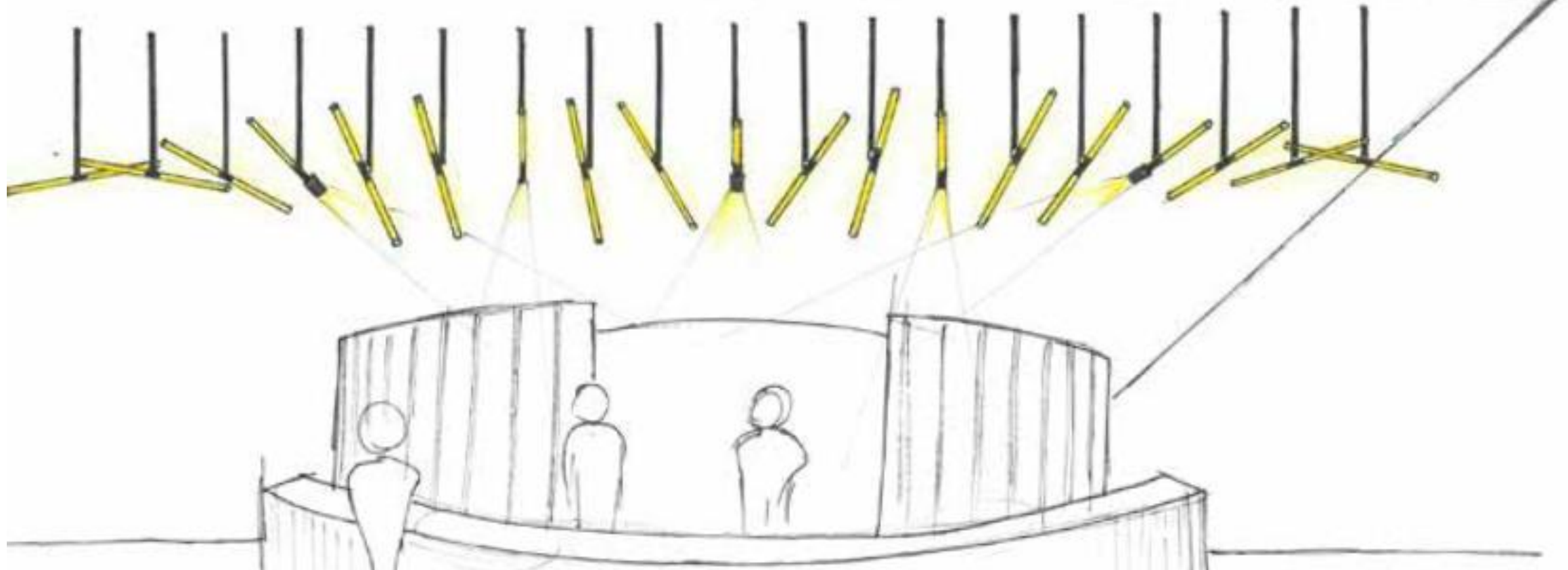
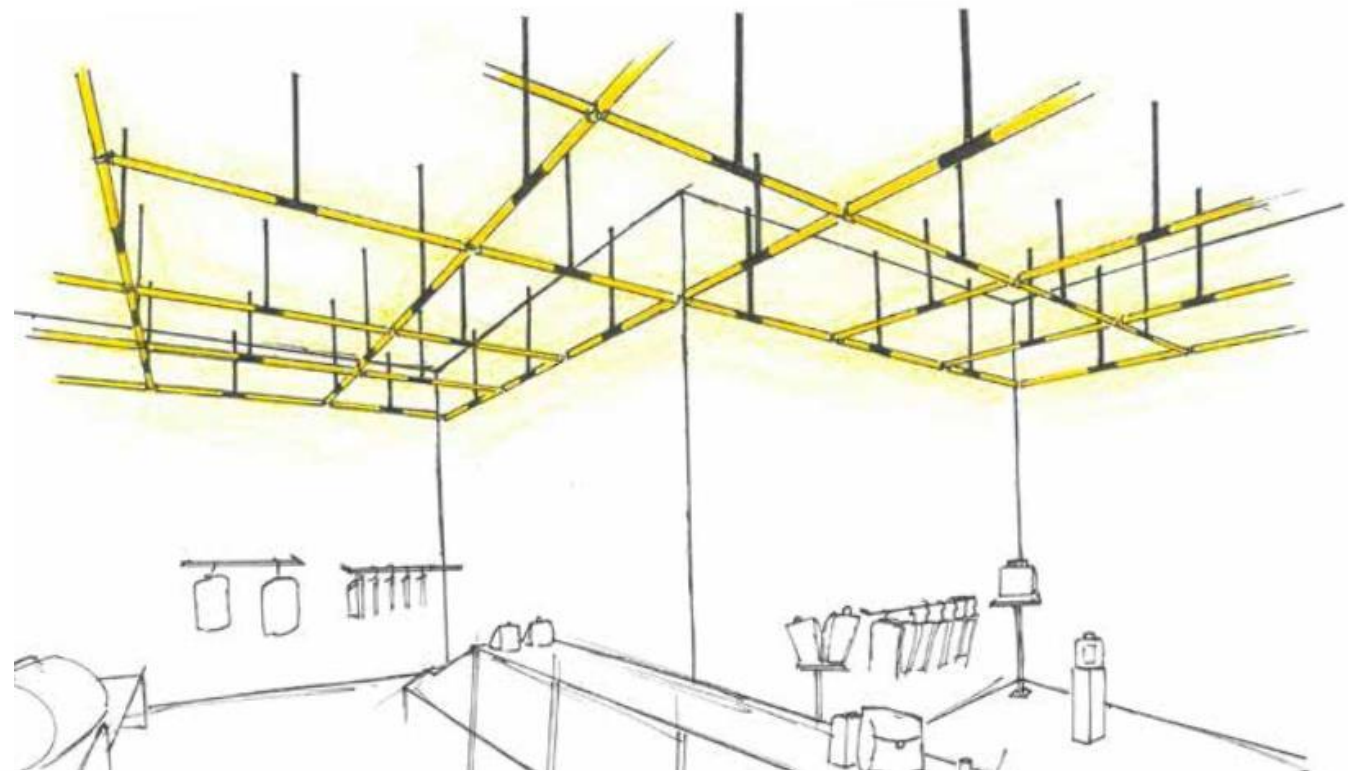
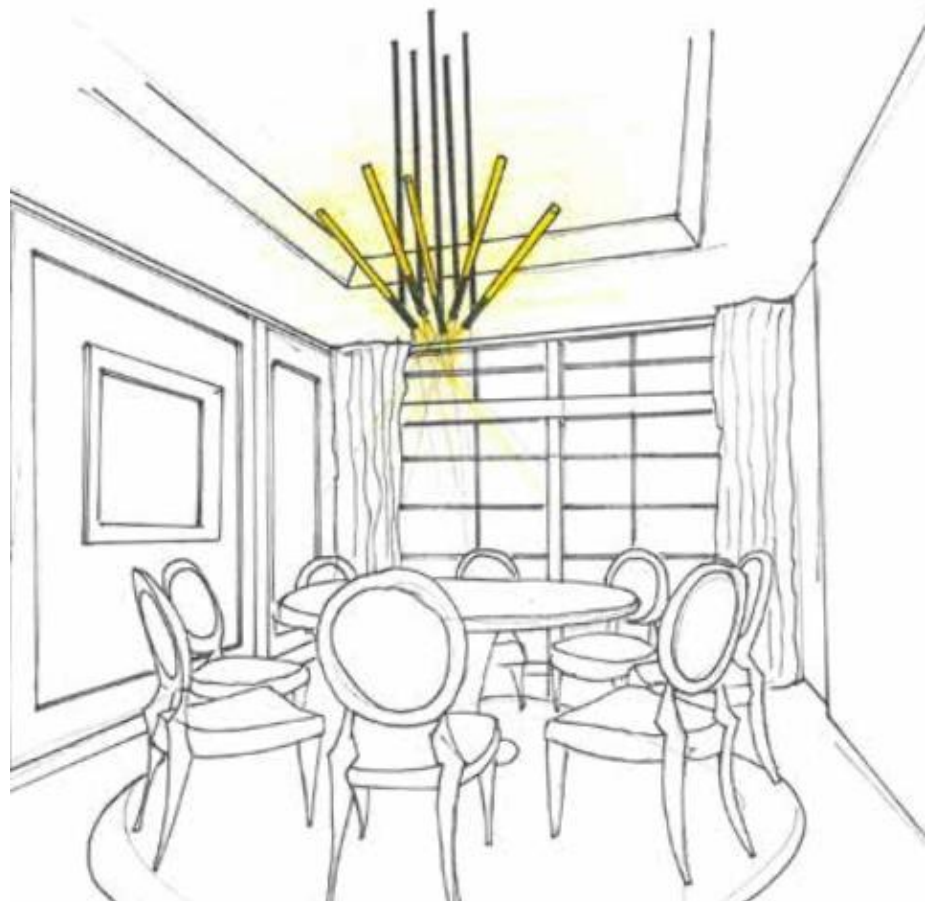
S81 PUNK-35" – SINGLE LED + CLUSTER

S122 PUNK -51" – SINGLE LED + CLUSTER



NEW





TOPIX



VISION



TIGA IN LED

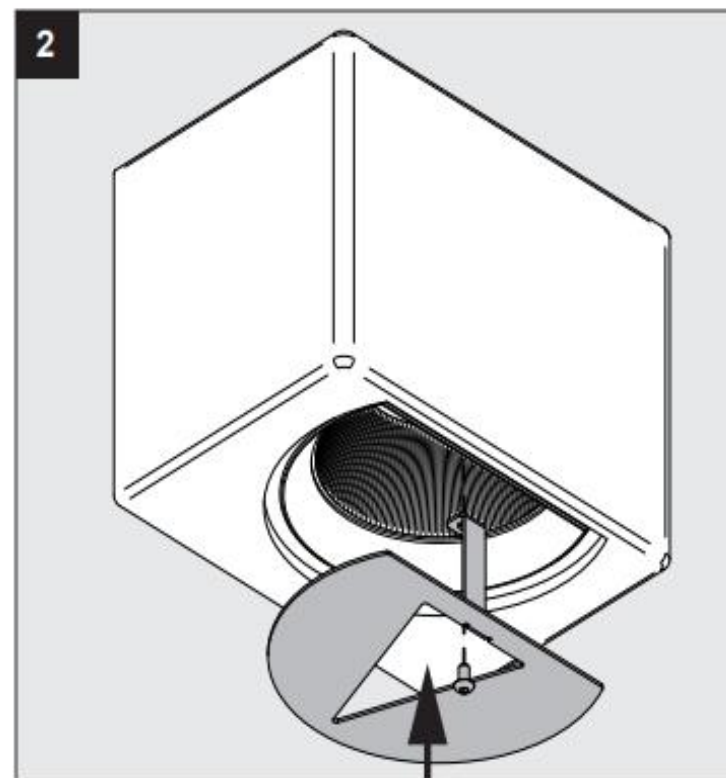
*3500,3000K,2700K

*INTERIOR VERSION

*BLACK-GOLD / WHITE-WHITE

*DAMP RATED

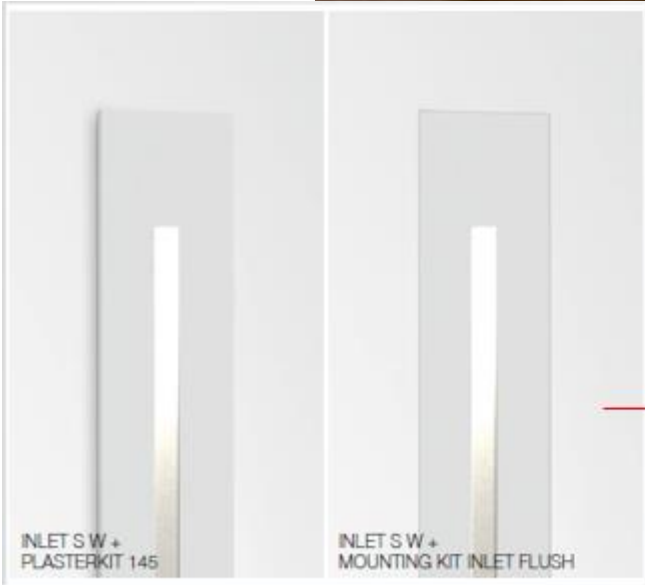
TIGA V-PLATE



INLET

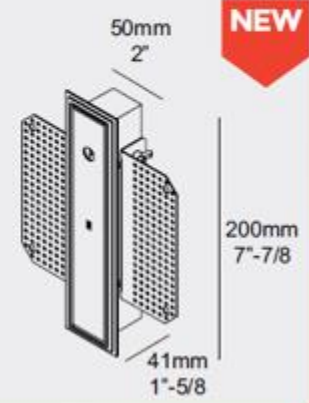


INLET



**MOUNTING KIT
INLET FLUSH**
304 05 01

5"-1/2 x 7"-7/8 x 1"-1/2



HELI 1 LED

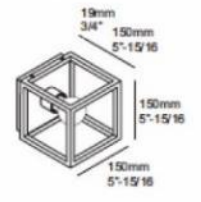
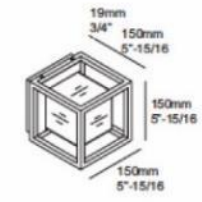


MONTUR

INT 454



Montur S



led   
MONTUR S LED ◊
6 232 112 83 ◊
◊ = A / B / W
INCL 1 x CLASS OPAL

INCL 1 x LED CLUSTER 7W / 3000K / 505lm
INCL LED POWER SUPPLY 350mA-DC
120V / 60Hz

4.4 IP65

MONTUR S ◊ E26 ◊
6 232 111 00 ◊
◊ = B / W
E26 MEDIUM / 120V / 60Hz
1 x A19 max.40W

2.4 IP20

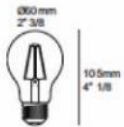
OPTIONS
led LED SOLUTION - PAG TEC 4

MONTUR

INT 454

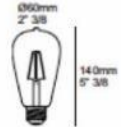


Led Solution / Led Filament



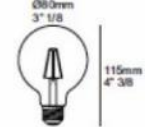
LED FILAMENT A19 E26 6.5W 2700K CLEAR
 6 309 109 00 26
 INCL. FILAMENT LED / 2700K / CRI>80
 TOTAL POWER 6.5W / LIFETIME 15,000hrs
 EQUIVALENT OF 60W INCANDESCENT
 CLEAR GLASS
 DIMMABLE: consult factory for dim options
 E26 / 120V / 60Hz

0.2



LED FILAMENT ST19 E26 6.5W 2300K AMBER
 6 309 109 01 262
 INCL. FILAMENT LED / 2300K / CRI>80
 TOTAL POWER 6.5W / LIFETIME 15,000hrs
 EQUIVALENT OF 60W INCANDESCENT
 TRANSPARENT AMBER GLASS
 DIMMABLE: consult factory for dim options
 E26 / 120V / 60Hz

0.2

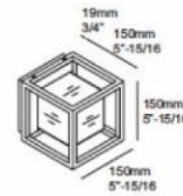


LED FILAMENT G25 E26 6.5W 2700K CLEAR
 6 309 109 02 26
 INCL. FILAMENT LED / 2700K / CRI>80
 TOTAL POWER 6.5W / LIFETIME 15,000hrs
 EQUIVALENT OF 60W INCANDESCENT
 CLEAR GLASS
 DIMMABLE: consult factory for dim options
 E26 / 120V / 60Hz

0.2

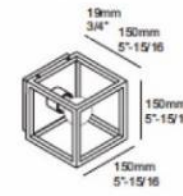


Montur S



MONTUR S LED
 6 232 112 83
 = A / B / W
 INCL. 1 x GLASS OPAL
 INCL. 1 x LED CLUSTER 7W / 3000K / 505lm
 INCL. LED POWER SUPPLY 350mA-DC
 120V / 60Hz

4.4 IP65



MONTUR S E26
 6 232 111 00
 = B / W
 E26 MEDIUM / 120V / 60Hz
 1 x A19 max.40W

2.4 IP20

OPTIONS
 led LED SOLUTION - PAG TEC 4

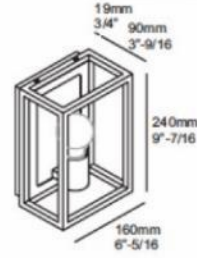
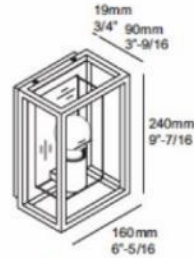
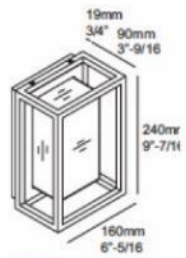
MONTUR

INT 455 / 457

new



Montur M



led
MONTUR M LED ◊
 6 232 212 83 ◊
 ◊ = A / B / W
 INCL 1 x GLASS OPAL
 INCL 1 x LED CLUSTER 6.3W / 3000K / 840lm
 INCL LED POWER SUPPLY 350mA-DC
 120V / 60Hz
 [5.7] IP65

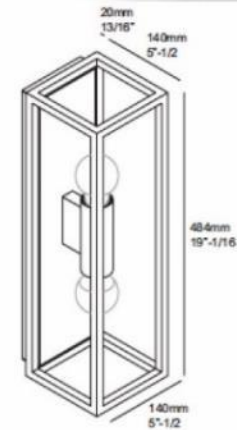
MONTUR M E26 ◊
 6 232 213 00 ◊
 ◊ = A / B / W
 INCL 1 x GLASS CLEAR
 E26 MEDIUM / 120V / 60Hz
 1 x A19 max.40W
 [5.5] IP65
 OPTIONS
led LED SOLUTION - PAG TEC 4

MONTUR M ◊ E26 ◊
 6 232 211 00 ◊
 ◊ = B / W
 E26 MEDIUM / 120V / 60Hz
 1 x A19 max.40W
 [2.9] IP20
 OPTIONS
led LED SOLUTION - PAG TEC 4

new



Montur L



MONTUR L ◊ E26 ◊
 6 232 321 00 ◊
 ◊ = B / W
 2 x E26 MEDIUM / 120V / 60Hz
 2 x A19 max.40W
 [4.0] IP20
 OPTIONS
led LED SOLUTION - PAG TEC 4

MONTUR EXTERIOR

new



Montur S



new



Montur M



new



Montur M





PROFILES

CUSTOM PROFILES

INTERIOR AND EXTERIOR

- MADE TO ORDER
- ANODIZED ALUMINUM EXTRUSIONS
 - WATER-JET MACHINING
- CONTINUOUS ILLUMINATION
 - LED
 - FLUORESCENT-SEAMLESS LAMPING
 - ILLUMINATED CORNERS
- CUSTOM & COMPOUND ANGLES POSSIBLE
 - 90°
 - 135°
- CUSTOM IN LENGTH AND DESIGN
- MANY FIXATION OPTIONS
 - RECESSED
 - SUSPENDED
 - SURFACE MOUNTED
 - WALL FIXATION

PROFILES



BUILDING YOUR PROFILE

WWW.HOWTOBUILDYOURPROFILE.COM

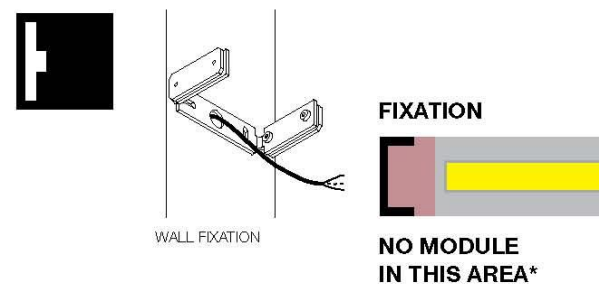
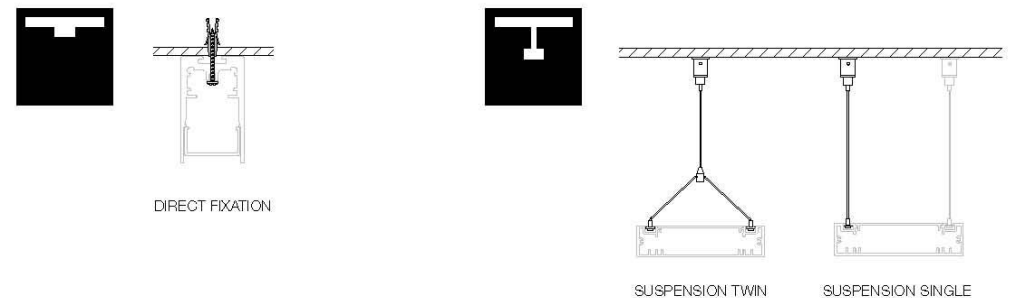
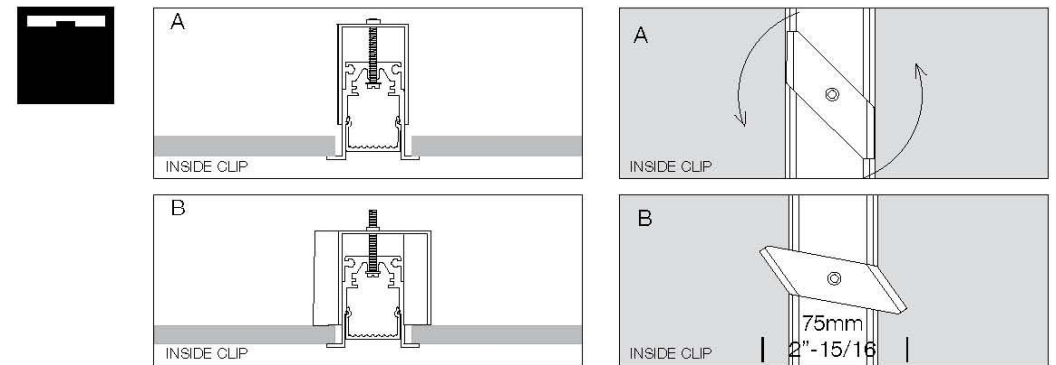
- SELECTING APPLICATION
- DEFINE DIMENSIONS
- CORNER DETAIL
 - 90°
 - 180°
 - 135°
- END CAP OR WALL MOUNT
- FIXATION
 - RECESSED
 - SUSPENDED
 - SURFACE MOUNTED
 - WALL FIXATION
- SUPPLY LENGTH
 - 5FT
 - 20FT
 - CUSTOM
- SELECT LIGHT MODULES
- DIMMING OPTION
- DEFINE CIRCUITS

Profile



SPLITLINE 29	<input checked="" type="checkbox"/>	<input type="checkbox"/>	<input type="checkbox"/>	<input type="checkbox"/>	<input type="checkbox"/>	<input type="checkbox"/>	B
SPLITLINE 52	<input checked="" type="checkbox"/>	<input type="checkbox"/>	<input type="checkbox"/>	<input checked="" type="checkbox"/>	<input type="checkbox"/>	<input type="checkbox"/>	B

5 Select fixation.



* for Nobody 200, Nobody 300

LED PROFILES

- **LED FLEX**

- 16FT ROLL OR CUSTOM
- INTERIOR
 - 1.5W PER FOOT (110 LUMENS PER FOOT)
 - 4.5W PER FOOT (307 LUMENS PER FOOT)
 - 6.7 W PER FOOT (550 LUMENS PER FOOT)
- EXTERIOR
 - 1.5W PER FOOT (110 LUMENS PER FOOT)
 - 4.5W PER FOOT (307 LUMENS PER FOOT)

- **LED STRIP (±50K)**

- INTERIOR
 - 1.8W PER FOOT (150 LUMENS PER FOOT)
 - 6.1W PER FOOT (596 LUMENS PER FOOT)
 - 7.5W PER FOOT (1110 LUMENS PER FOOT)
 - 2700k
 - 3000k
 - 4000k

- **RGB**

- FLEX 2.5W PER FOOT
- STRIP 7.5W PER FOOT
 - DMX
 - COLOR SEQUENCING



 DELTALIGHT®

FINNLINE

PRO 568-575

6" - 1/2



B-LINER

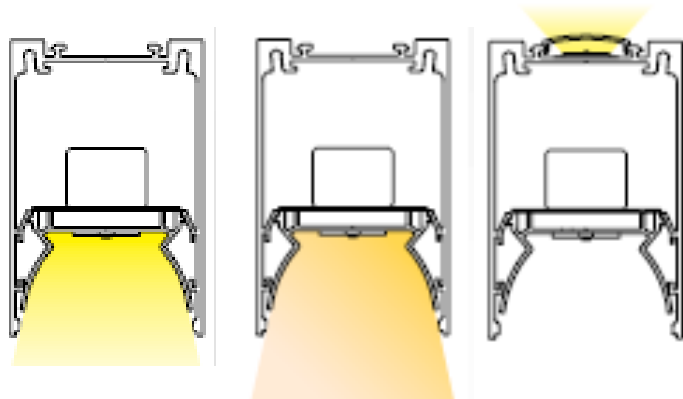
PRO 560-567



2''-3/4

STREAMLINER

PRO 548-559



NEW	STREAMLINER 70S	NEW	STREAMLINER 70L
<p>SRL 70S - PROFILE ◇ 6 389 01 00 00 ◇ ◇ = ANO / B / W MAX.L / PROFILE: 19'-8"-1/4 Lb / ft 4.4</p> <div data-bbox="1688 697 1843 858"> <p>70mm 2'-3/4</p> <p>85mm 3'-3/8</p> </div>		<p>SRL 70L - PROFILE ◇ 6 389 02 00 00 ◇ ◇ = ANO / B / W MAX.L / PROFILE: 19'-8"-1/4 Lb / ft 4.8</p> <div data-bbox="2403 697 2558 883"> <p>70mm 2'-3/4</p> <p>108mm 4'-1/4</p> </div>	
TOL EN12020-2		TOL EN12020-2	

NEW	STREAMLINER TR	NEW	STREAMLINER 85
<p>SRL TR - PROFILE ◇ 6 389 04 00 00 ◇ ◇ = ANO MAX.L / PROFILE: 19'-8"-1/4 Lb / ft 4.6</p> <div data-bbox="1688 1393 1843 1604"> <p>70mm 2'-3/4</p> <p>98mm 3'-3/4</p> <p>85mm 3'-3/8</p> </div>		<p>SRL 85 - PROFILE ◇ 6 389 03 00 00 ◇ ◇ = ANO / W MAX.L / PROFILE: 19'-8"-1/4 Lb / ft 4.6</p> <div data-bbox="2386 1393 2542 1604"> <p>70mm 2'-3/4</p> <p>95mm 3'-3/4</p> <p>85mm 3'-3/8</p> </div>	
TOL EN12020-2		TOL EN12020-2	

STREAMLINER

3-3/8" WIDTH (REPLACES UNILINE)

LED STANDARD OUTPUT – 500lm/FT

LED HIGH EFFICIENCY - 1175lm/FT

PRISMATIC OR SBL LENS



STREAMLINER 70S

NEW

SRL 70S - PROFILE ◇
6 389 01 00 00 ◇
 ◇ = ANO / B / W
 MAX.L / PROFILE: 19'-8"-1/4
 Lb / ft
4.4

70mm
2'-3/4

85mm
3'-3/8

TOL EN12020-2



STREAMLINER 70L

NEW

SRL 70L - PROFILE ◇
6 389 02 00 00 ◇
 ◇ = ANO / B / W
 MAX.L / PROFILE: 19'-8"-1/4
 Lb / ft
4.8

70mm
2'-3/4

108mm
4'-1/4

TOL EN12020-2



STREAMLINER TR

NEW

SRL TR - PROFILE ◇
6 389 04 00 00 ◇
 ◇ = ANO
 MAX.L / PROFILE: 19'-8"-1/4
 Lb / ft
4.6

70mm
2'-3/4

96mm
3'-3/4

85mm
3'-3/8

TOL EN12020-2



STREAMLINER 85

NEW

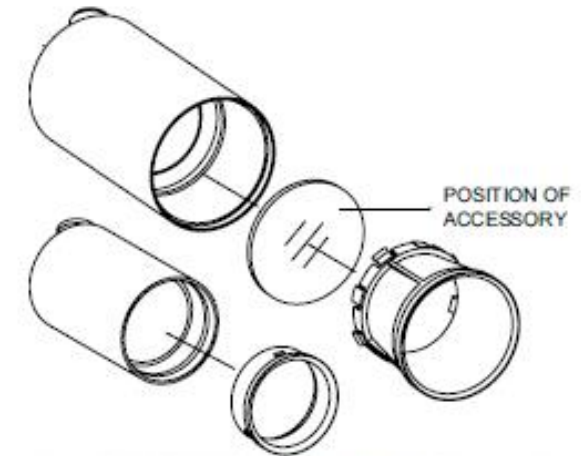
SRL 85 - PROFILE ◇
6 389 03 00 00 ◇
 ◇ = ANO / W
 MAX.L / PROFILE: 19'-8"-1/4
 Lb / ft
4.6

70mm
2'-3/4

95mm
3'-3/4

85mm
3'-3/8

TOL EN12020-2



MICROLINE TR

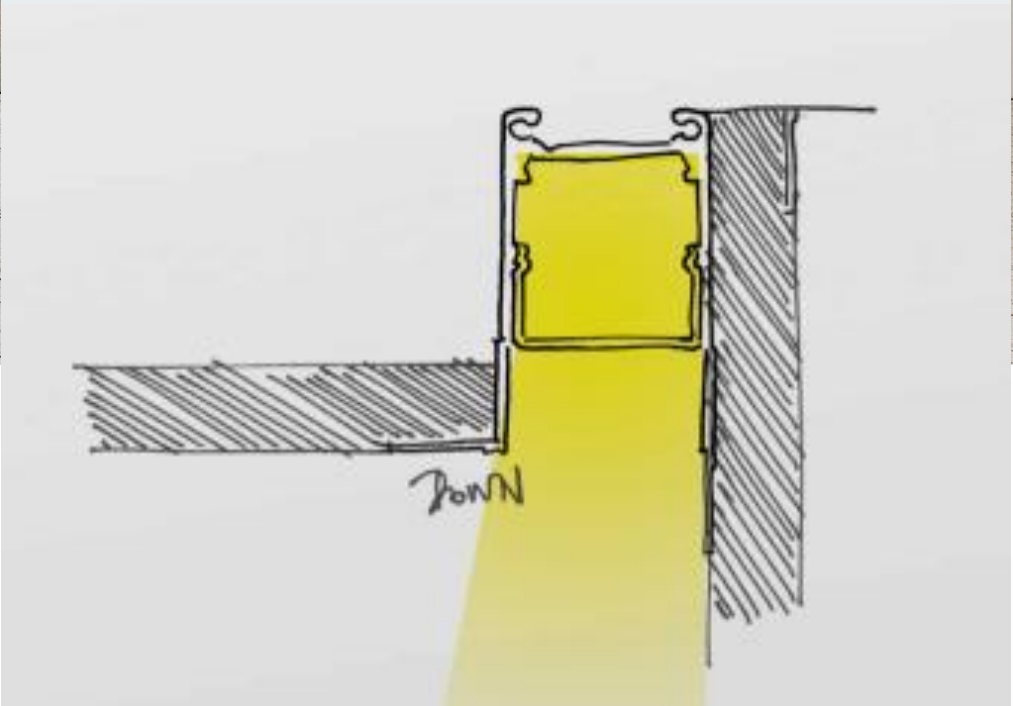
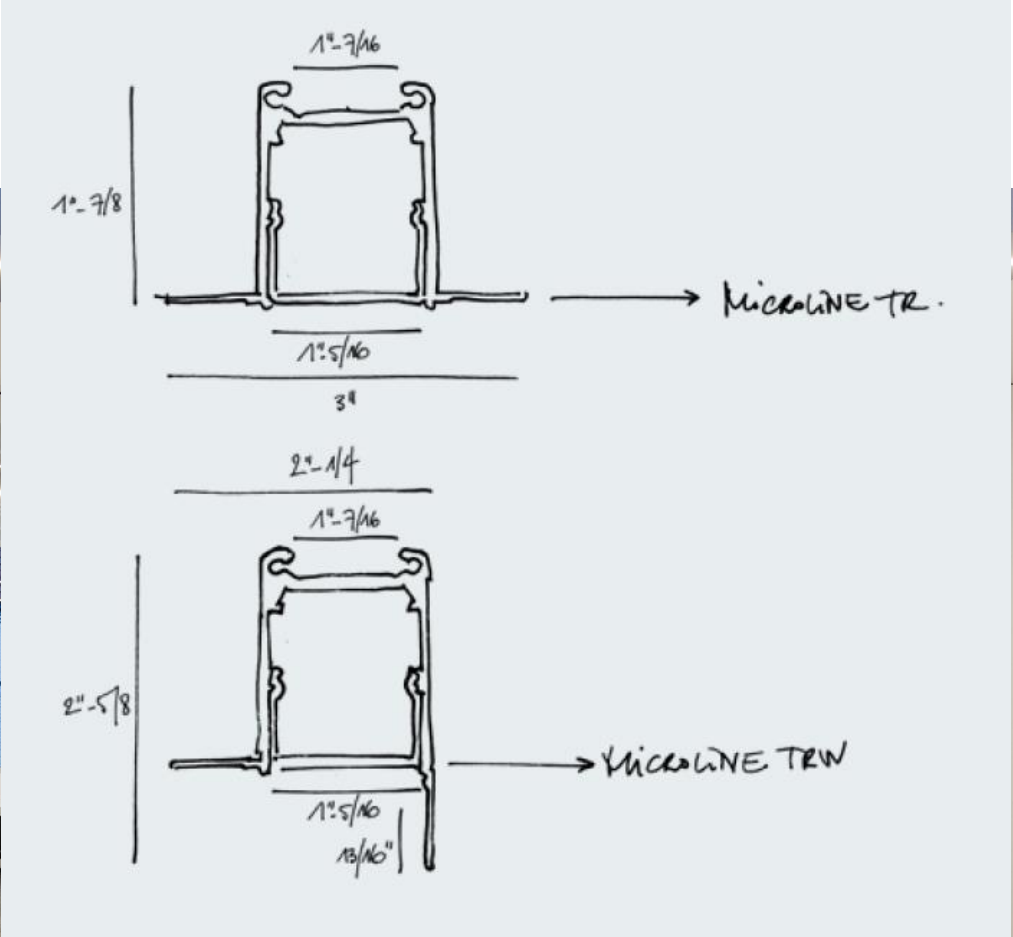
PRO 530-541



1''-5/16

MICROLINE TR

PRO 530-541

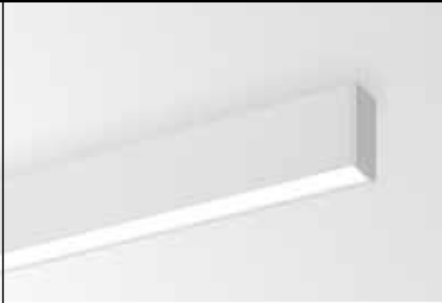
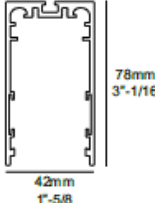
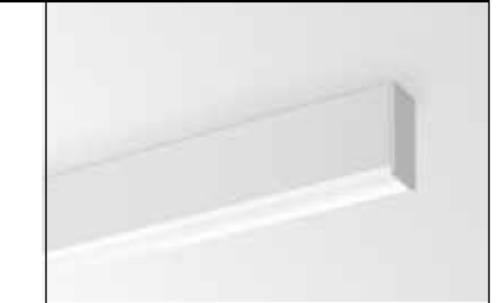
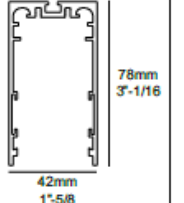


1" - 5/16

MICROLINE 60/40/40+

PRO 542-547


STANDARD OUTPUT – 500lm/FT
 HIGH PERFORMANCE - 1175lm/FT
 3500K, 3000K

MICROLINE 40	MICROLINE 40+
 <p>MIC40/40+ - PROFILE ◇ 6 399 01 00 ◇ ◇ = ANO / B / W MAX.L / PROFILE: 19'-8"-1/4 Lb / ft [3.1]</p>  <p>78mm 3"-1/16"</p> <p>42mm 1"-5/8"</p> <p>TOL EN12020-2</p>	 <p>MIC40/40+ - PROFILE ◇ 6 399 01 00 ◇ ◇ = ANO / B / W MAX.L / PROFILE: 19'-8"-1/4 Lb / ft [3.1]</p>  <p>78mm 3"-1/16"</p> <p>42mm 1"-5/8"</p> <p>TOL EN12020-2</p>


REQUIREMENT

MIC 40/60 - PC SBL PROFILE HE
 399 01 02 05 SBL HE
 MAX.L / PROFILE: 19'-8"-1/4 - [0.2] / 3'

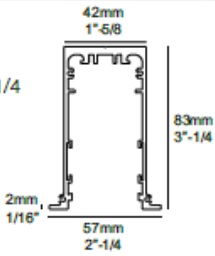
MIC 40/60 - PC SBL PROFILE ROLL 26'
 399 01 02 08 SBL
 [0.2] / 3'



MICROLINE 60



MIC60 - PROFILE ◇
 6 399 03 00 ◇
 ◇ = ANO / W
 MAX.L / PROFILE: 19'-8"-1/4
 Lb / ft
 [3.7]



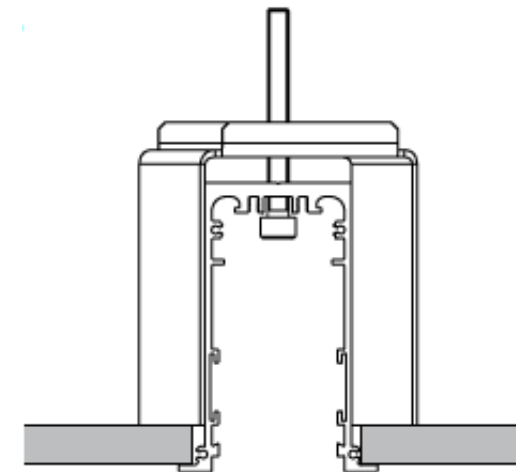
42mm
1"-5/8"

83mm
3"-1/4"

2mm
1/16"

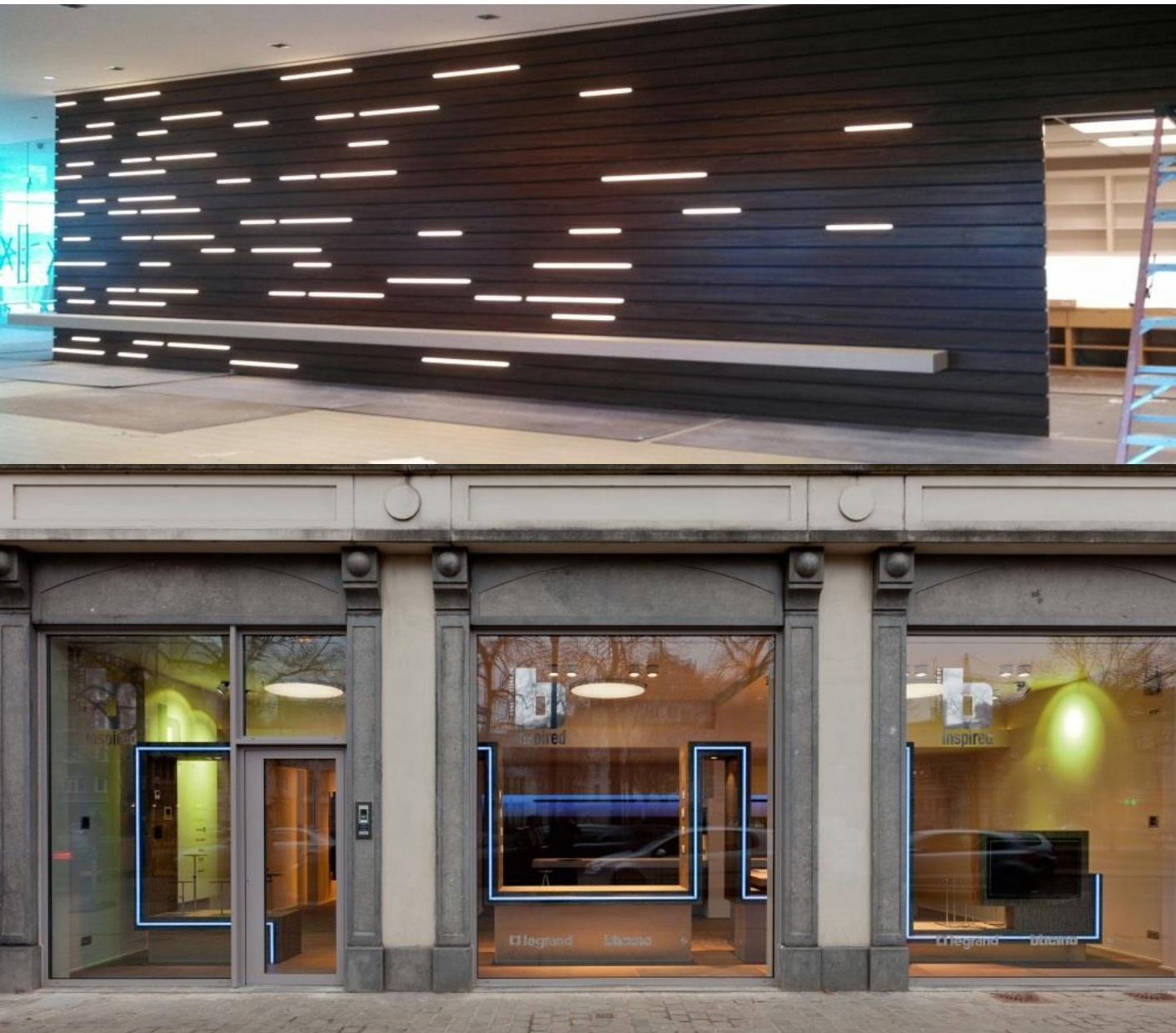
57mm
2"-1/4"

TOL EN12020-2



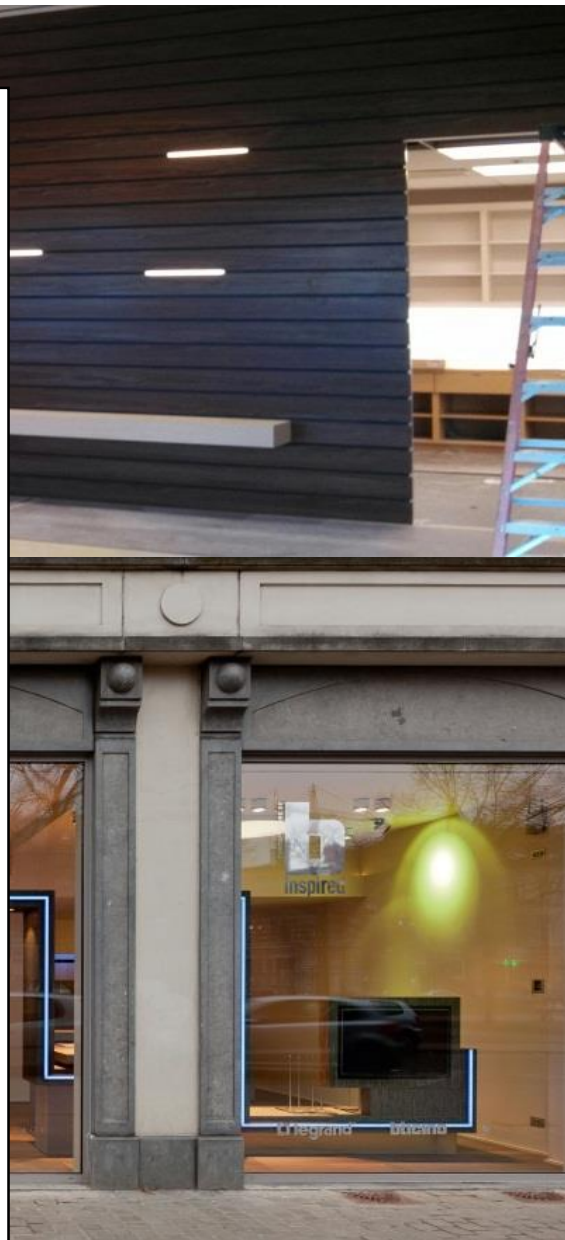
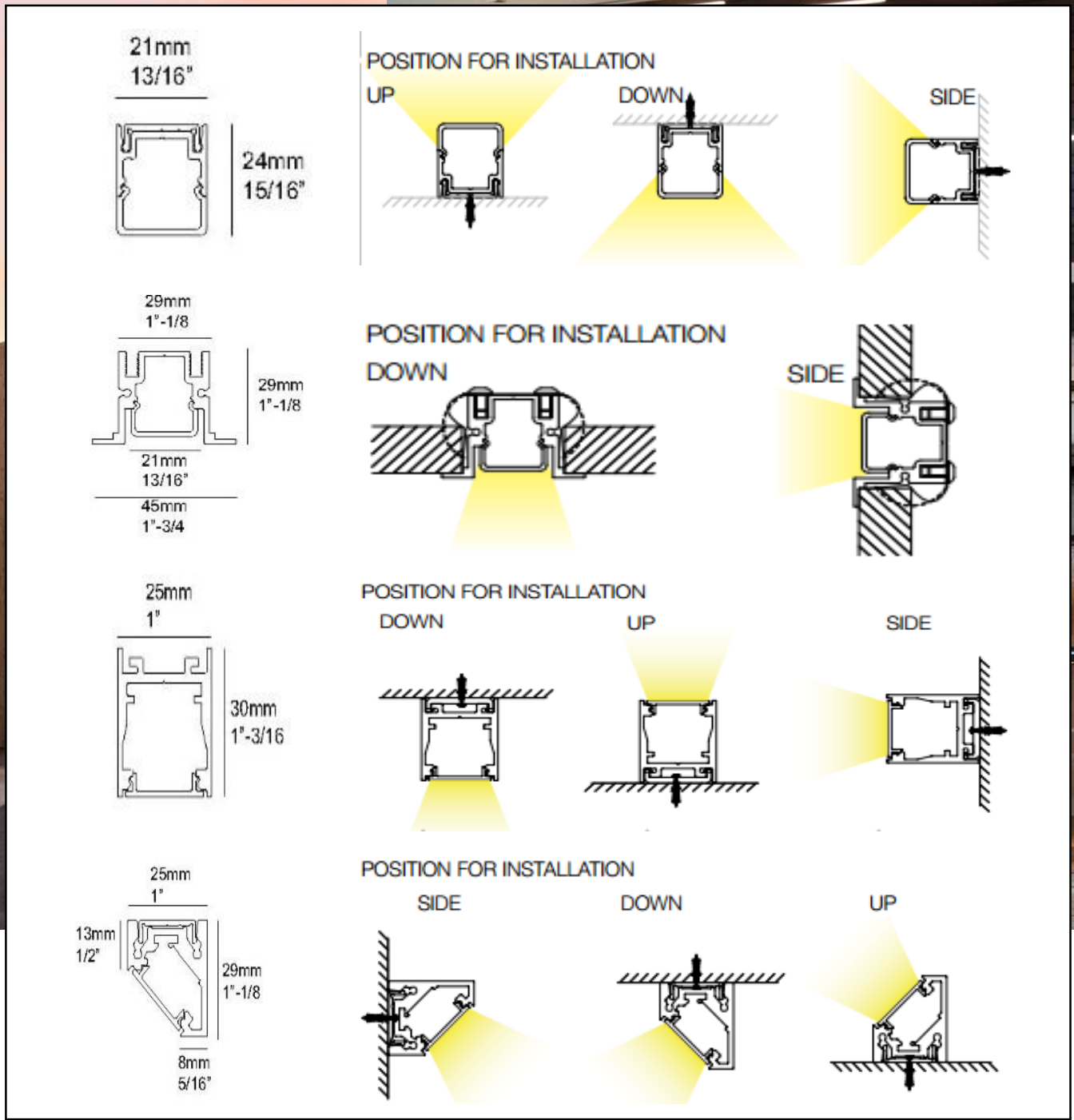
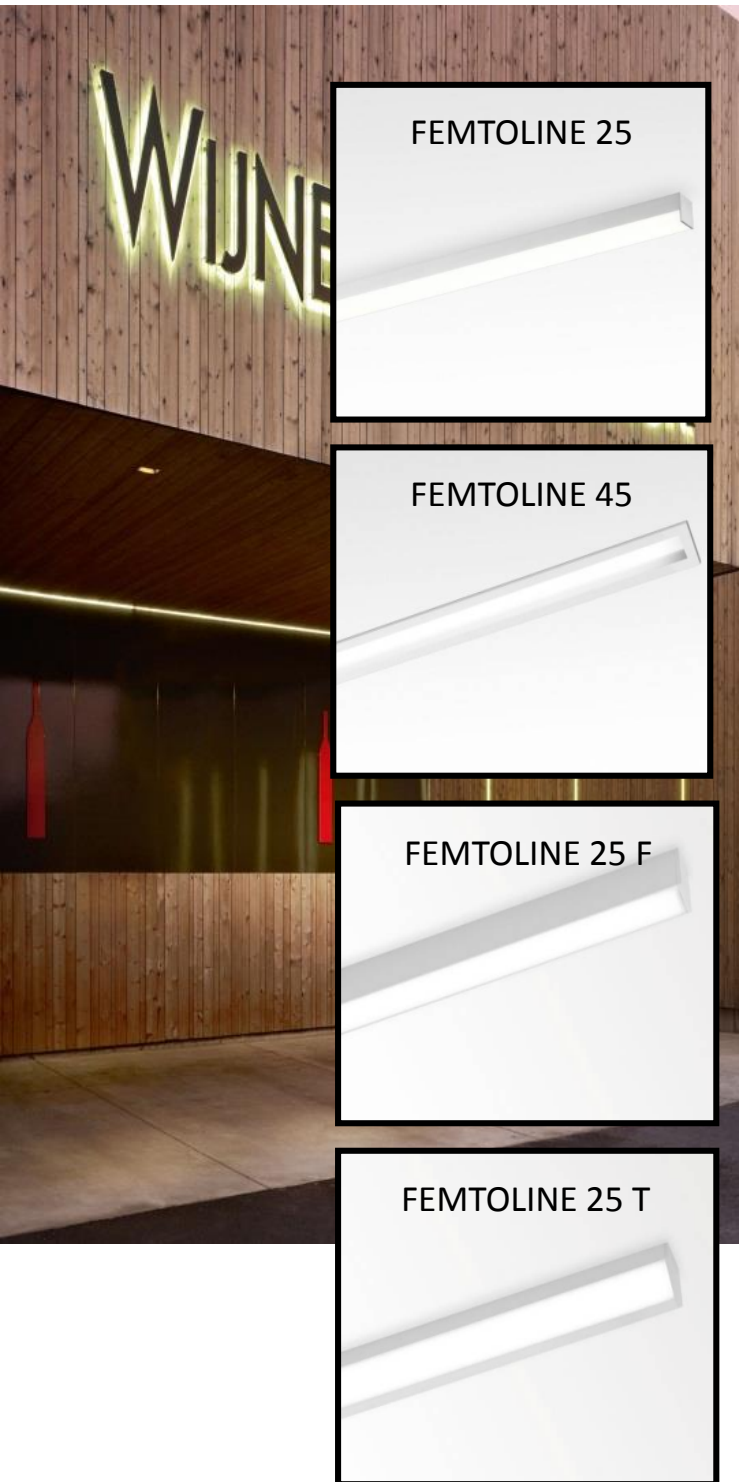
FEMTOLINE

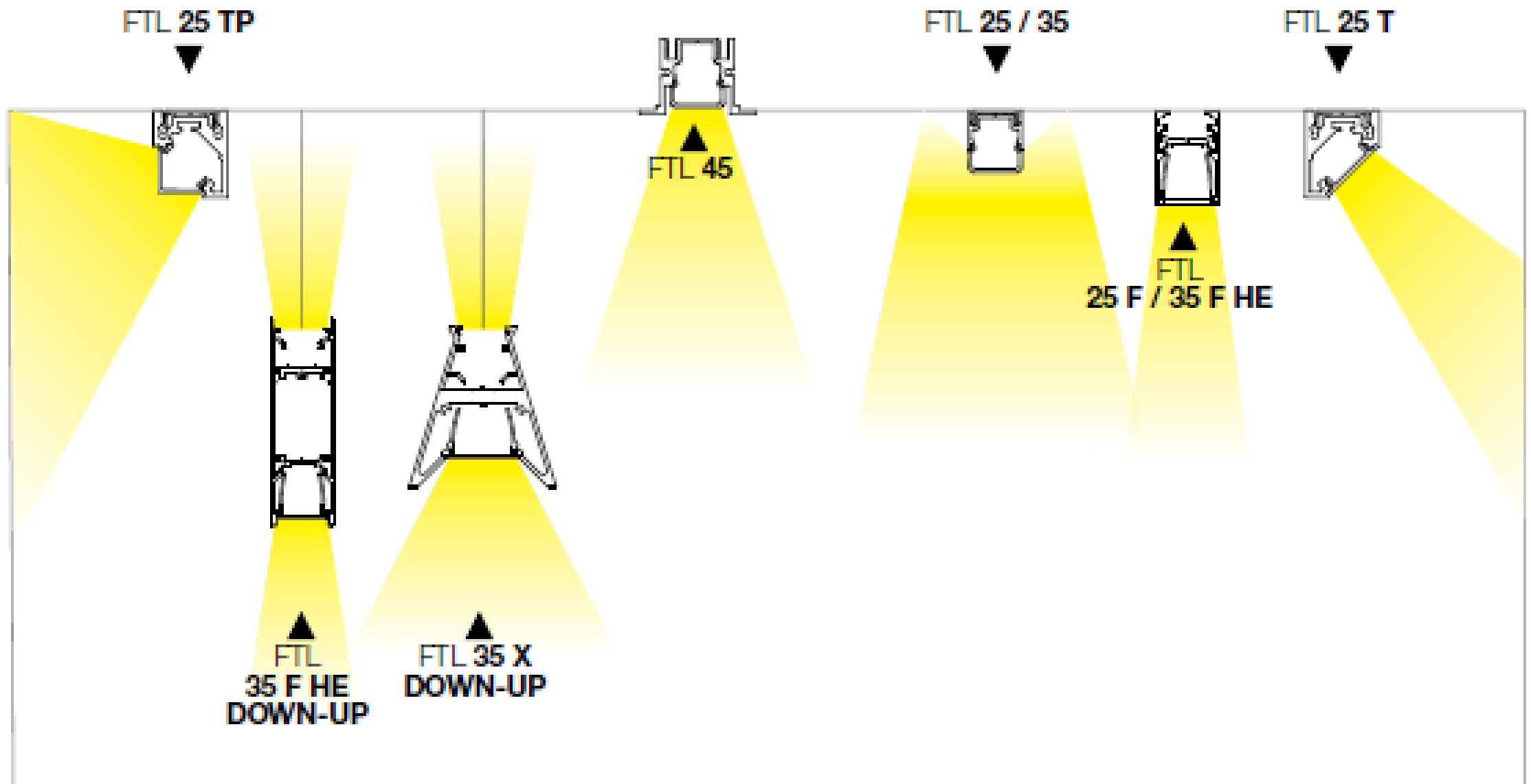
PRO 522-535



FEMTOLINE

PRO 522-535





FEMTOLINE 35 F HE



FEMTOLINE 35 F HE DOWN-UP



FEMTOLINE 35 X HE DOWN-UP



FEMTOLINE 25 TP

PROFILE

NEW



FTL35 F HE - PROFILE ◇
 6 392 01 00 00 ◇
 ◇ = ANO / B / W
 INCL.PC SBL HE
 MAX.L / PROFILE: 19'-8"-1/4
 Lb / ft

37mm
1-7/16"



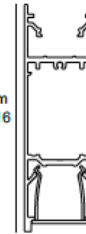
1.5

NEW



FTL35 F HE D/U - PROFILE ◇
 6 392 02 00 00 ◇
 ◇ = B / W
 INCL.PC SBL DOWN HE
 MAX.L / PROFILE: 19'-8"-1/4
 Lb / ft

90mm
3'-9/16"



3.1

OPTION
FTL35 F D/U - PC SBL UP - PROFILE
 392 02 02 05 SBL

22mm
7/8"

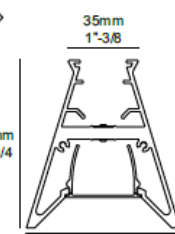


NEW



FTL35 X HE D/U - PROFILE ◇
 6 392 03 00 00 ◇
 ◇ = B / W
 INCL.PC SBL DOWN HE
 MAX.L / PROFILE: 19'-8"-1/4
 Lb / ft

83mm
3'-1/4"



5.3

OPTION
FTL35 X D/U - PC SBL UP - PROFILE
 392 03 02 05 SBL

76mm
3"
22mm
7/8"



NEW



FTL25 TP - PROFILE ◇
 6 381 01 00 00 ◇
 ◇ = ANO / B / W
 INCL.PC SBL
 INCL.FIXATION CLIP
 MAX.L / PROFILE: 19'-8"-1/4
 Lb / ft

1'-3/16"



0.9

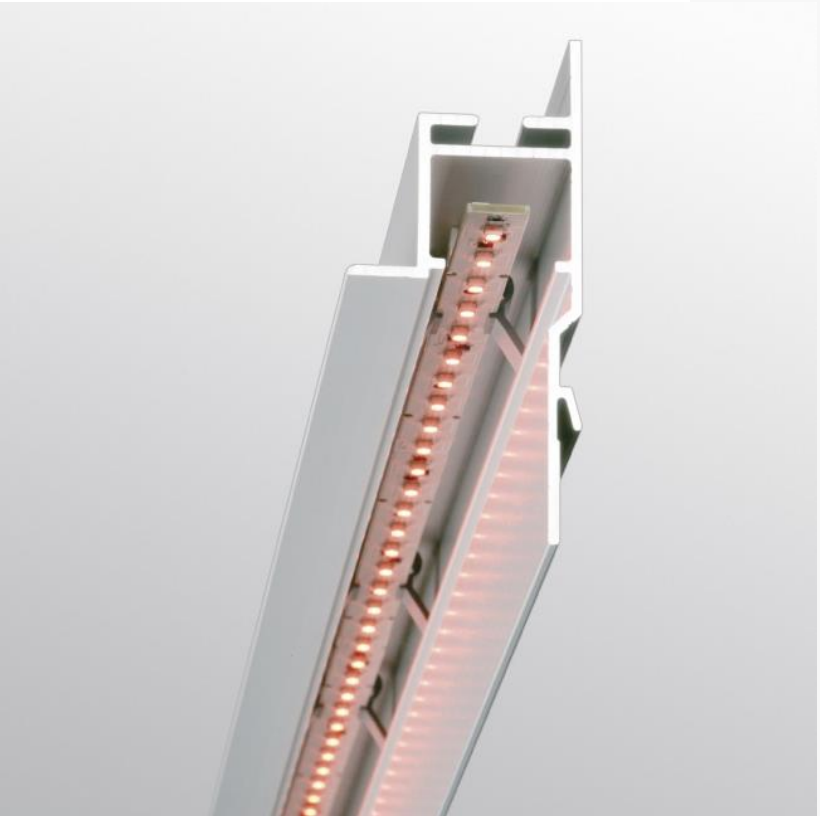


MAX.15W/3"

 DELTALIGHT®

RENDEZ-VOUS

PRO 518-521



BORDERLINE

PRO 512-517





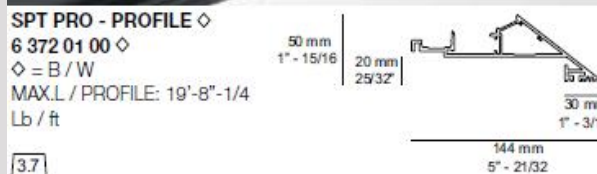
Split-it PRO Split-it ON

Defining spaces

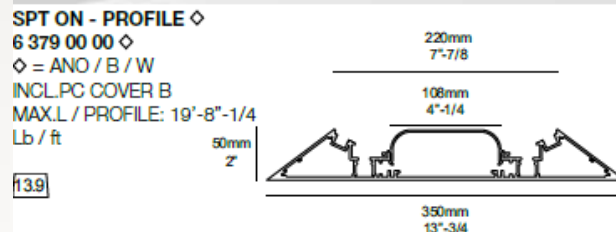
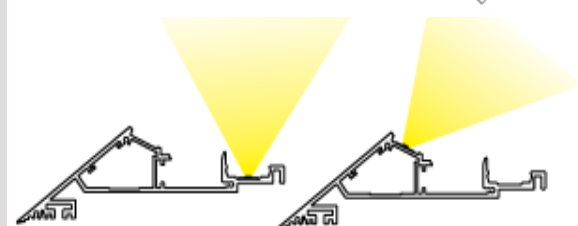
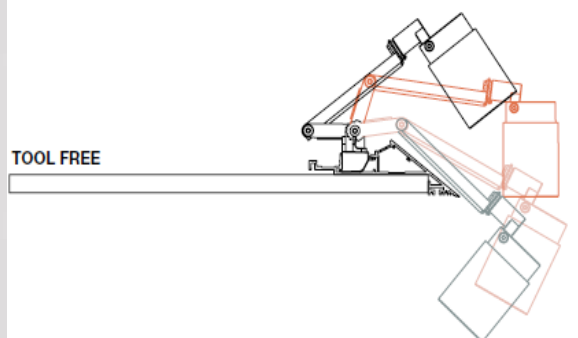


SPLIT-IT PRO / ON

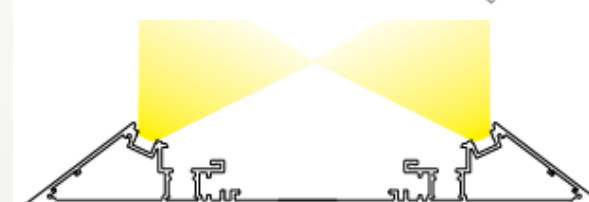
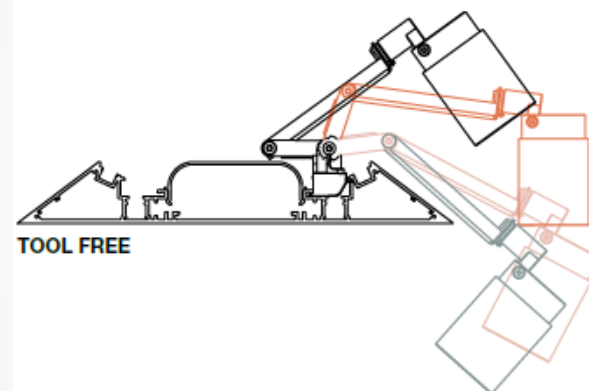
PRO 470-491



37



139



SPLIT-IT SPY

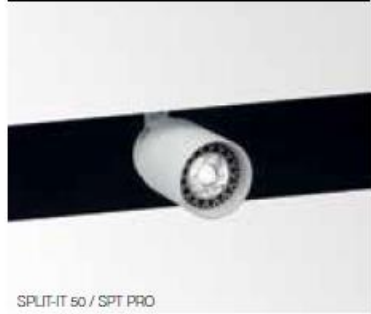


SPLIT-IT SPY / SPT PRO



SPLIT-IT SPY / SPT ON

SPLIT-IT RB50



SPLIT-IT 50 / SPT PRO



SPLIT-IT 50 / SPT ON

SPLIT-IT RB111



SPLIT-IT RB111 / SPT PRO

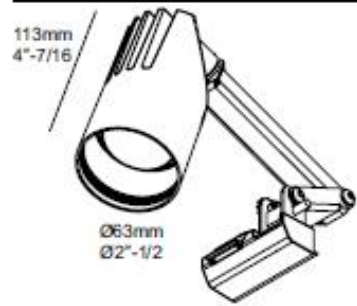


SPLIT-IT RB111 / SPT ON

Light Refining Accessories.



SPLIT-IT PINTOR 63



SPLIT-IT PINTOR 63 / SPT PRO



SPLIT-IT PINTOR 63 / SPT ON

Simply by pressing a pin you can control the position of the arm of the module.



Via a clamp-system you can easily position the module along the full length of the profile.

SPLIT-IT PRO LED LINE

SPT PRO - LED LINE 1 830
6 300 94 017 83
L 7'-1/16 - 270lm - 2W

SPT PRO - LED LINE 5 830
6 300 94 050 83
L 20'-1/4 - 806lm - 6W

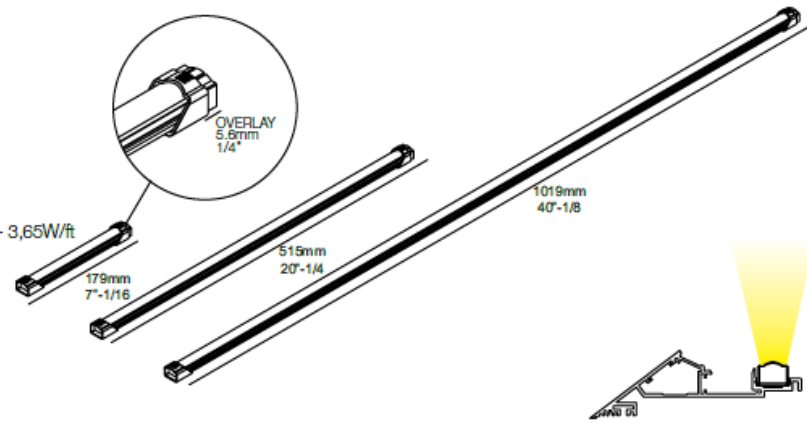
SPT PRO - LED LINE 10 830
6 300 94 100 83
L 40'-1/8 - 1612lm - 12W

EXCL. POWER SUPPLY 24V-DC
INCL. LED STRIP - 3000K - CRI>80 - 487Wm/ft - 3,65W/ft
INCL. PC
MAX. 20' / POWERLINE

0.4 IP50 DAMP

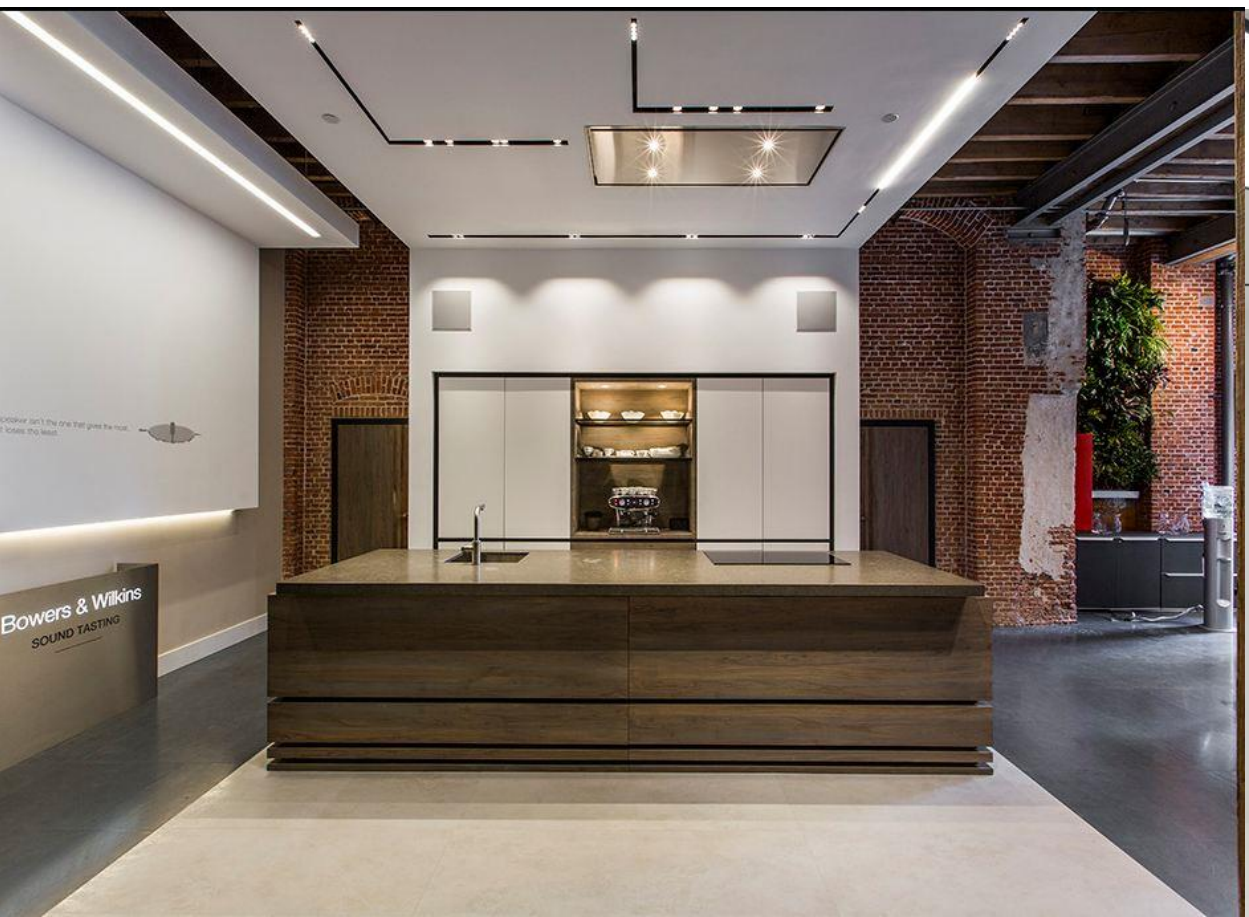
OPTIONS
LED POWER SUPPLY 24V-DC

REQUIREMENT
SUPPLY CABLE LED LINE



SPLITLINE

PRO 492-511



SPLITLINE 29: 1" - 1/8

SPLITLINE 52: 2" - 1/16



NEW

M PROFILES

MAGNETIC PROFILES: SPLITLINE M & SHIFTLINE M

PRO 448-469



CUSTOM PROFILE FORM



4850 W. Prospect Rd.
Fort Lauderdale, FL 33309 - USA
Tel: +1 (954) 677 9800
Fax: +1 (954) 677 1007
www.deltalight.us

PROFILE QUOTATIONS

Deltalight is more than happy to design your profile quotation, however to do the best possible job we will need more information about the profile you would like to design. This sheet includes the information you already provided to us and it also includes blank spaces for the information we need. Please, complete this profile sheet. The more quickly we receive this information the more rapidly your request can be completed.

1. Job Name: _____

2. Profile Name: _____

3. Profile Length: NOMINAL SPECIFIED LENGTH (_____)

4. Fixture Quantity: _____

5. Mounting Type: RECESSED SUSPENSION DIRECT FIXATION

6. Profile Finish: ANO WHITE RAL # _____ (upon approval only)

7. Profile Voltage: 120 V 277 V

8. Modules Numbers: _____

9. Electronic Dimmer: YES NO

10. Suspension Length: 1.6 m 6.0 m N/A

11. Specifier: _____

12. Specifier Location: _____

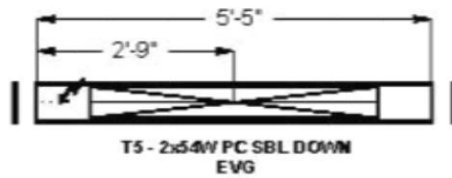
13. Project Location: _____

SPECIAL INSTRUCTIONS/ DESIGN LAYOUT

APPROVAL DRAWINGS

REVISIONS			
	DESCRIPTION	DATE	APPROVED

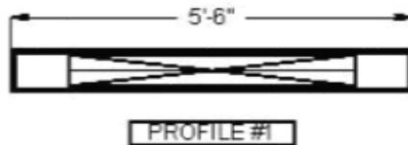
**PROFILE SECTION #1
132 PIECE(S)
FOR THIS FIXTURE**



PROFILE # 1 - FINISH ANO - VOLTAGE 120V (132 PIECES)

QTY	DESCRIPTION	MFG.	ITEM REF. NUMBER	ITEM DESCRIPTION
1.658	EXTRUSION ANO		295 00 00 ANO	MAC180 - PROFILE ANO
1	T5 2x54W DOWN MODULE		295 61 254 E	MAC180 - T16 2 x54W PAR PC SBL DOWN EVG
1	54W ELECTRONIC BALLAST		48131	QT P2 X54T5 HD LNMNL
1	EMERGENCY BALLASTS		LP-600	BO DINE EMERGENCY BALLAST T5 1x54W
2	T5 3500K FLUORESCENT LAMP		20904	FP548 35/H/VECO

**132 COMPLETE
FIXTURE(S)
W/ END CAPS**



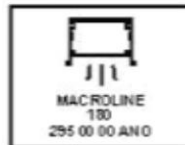
ACCESSORIES - FINISH ANO - VOLTAGE 120V (132 SETS)

QTY	DESCRIPTION	MFG.	ITEM REF. NUMBER	ITEM DESCRIPTION
2	END CAPS ANO		295 03 01 ANO	MAC180 - END CAP ANO
2	INSIDE MOUNTING CLIPS		295 14 01	MAC180 - INSIDE CLIP

MAC 180 - T5 PAR PC SBL DOWN MODULE



RECESSED FIXATION



10mm (3/8") HOLES IN TOP OF PROFILE FOR DIRECT CONNECTION

PLEASE NOTE:
YOUR ORDER CANNOT BE PROCESSED WITHOUT
AUTHORIZED SIGNATURE OF APPROVAL

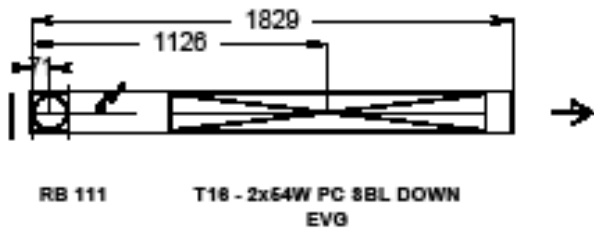
SIGNATURE:
PRINT NAME:
DATE:

MACROLINE-180 - FINISH ANO	#REG-08-0962
NAME : 627 GREENWICH ST.	
REF :	
DATE : 22 FEB 2008	
DELTA LIGHT USA	OB
2010 C. GREENWICH ST. DELTA LIGHTING, INC. TEL: 800-975-7777 FAX: 800-975-7777 www.deltalight.com	page : 1/2

REVISIONS			
	DESCRIPTION	DATE	APPROVED

**PROFILE SECTION #1
4 PIECE(S)
FOR THIS FIXTURE**

**TYPE
F12**



**PROFILE SECTION #2
4 PIECE(S)
FOR THIS FIXTURE**



PROFILE # 1 - FINISH ANO - VOLTAGE 277V (4 PIECES)

QTY	DESCRIPTION	MFG.	ITEM REF. NUMBER	ITEM DESCRIPTION
1.829	EXTRUSION		294 00 00 ANO	MAC160- PROFILE ANO
1	AR111 1x50W DOWN MODULES		294 61 231	MAC160- RB111
1	ELECTRONIC 277V TRANSFORMER		901 075 278	LET 75 12V 277 BF 277V--277V--277V
1	AR111 50W FLOOD LAMPS		55103	50AR111VFL25 12V
1	T5 2x54W DOWN MODULES		294 61 254 E	MAC160- T16 2 x 54W PAR. PC SBL DOWN EVG
1	ELECTRONIC BALLAST 277V		49131	QTP2X54T5HOUNVNL 277V--277V--277V
2	T5 3500K FLUORESCENT LAMPS		20904	FP54/835H O/E/C O

PROFILE # 2 - FINISH ANO - VOLTAGE 277V (4 PIECES)

QTY	DESCRIPTION	MFG.	ITEM REF. NUMBER	ITEM DESCRIPTION
1.829	EXTRUSION		294 00 00 ANO	MAC160- PROFILE ANO
1	AR111 1x50W DOWN MODULES		294 61 231	MAC160- RB111
1	ELECTRONIC 277V TRANSFORMER		901 075 278	LET 75 12V 277 BF 277V--277V--277V
1	AR111 50W FLOOD LAMPS		55103	50AR111VFL25 12V
1	T5 2x54W DOWN MODULES		294 61 254 E	MAC160- T16 2 x 54W PAR. PC SBL DOWN EVG
1	ELECTRONIC BALLAST 277V		49131	QTP2X54T5HOUNVNL 277V--277V--277V
2	T5 3500K FLUORESCENT LAMPS		20904	FP54/835H O/E/C O



RECESSED FIXATION



2" DIA. (1/2" HO. HOLE IN TOP OF PROFILE FOR DIRECT CONDUIT CONNECTION)

PLEASE NOTE:
YOUR ORDER CANNOT BE PROCESSED WITHOUT AUTHORIZED SIGNATURE OF APPROVAL

SIGNATURE: _____

PRINT NAME: _____

DATE: _____

MACROLINE 160 - FINISH ANO	#ALR-07-0813
NAME : ARTIS CAPITAL	
REF : _____	
DATE : 09 OCTOBER 2007	
DELTA LIGHT USA	Drawn By: IA
<small>3000 N. WILSON BLVD. #8 FORT LAUDERDALE, FL 33304 USA TEL: 954.877.8800 FAX: 954.877.0007 www.deltalight.us</small>	PAGE : 1/2

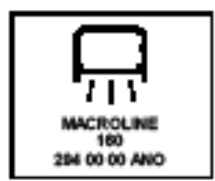
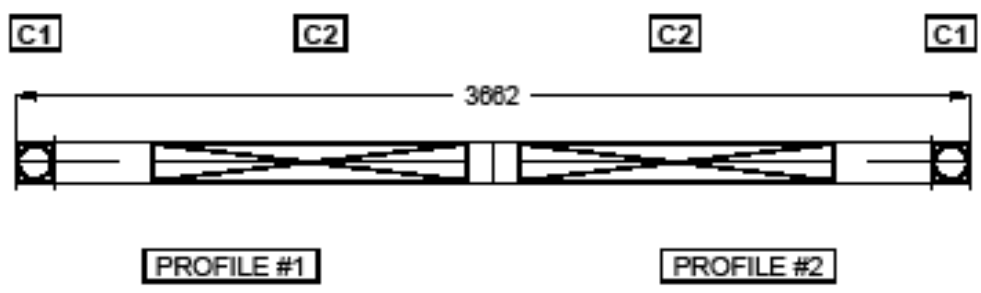
REVISIONS			
	DESCRIPTION	DATE	APPROVED

TYPE
F12

**4 COMPLETE
FIXTURE(S)
W/ END CAPS**

ACCESSORIES - FINISH ANO - VOLTAGE 277V (4 SETS)

QTY	DESCRIPTION	MFG.	ITEM REF. NUMBER	ITEM DESCRIPTION
2	END CAPS		294 03 01 ANO	MAC160 - END CAP ANO
1	STRAIGHT JOINERS		294 06 01	MAC160 - CORNER 180°
2	EXTRA CIRCUIT CABLES		328 90 01	CABLING EXTRA CIRCUIT / PER MODULE



22mm (3/4") HOLE IN TOP OF PROFILE FOR DIRECT CONDUIT CONNECTION

**C1-CIRCUIT #1
C2-CIRCUIT #2**

PLEASE NOTE:
YOUR ORDER CANNOT BE PROCESSED WITHOUT AUTHORIZED SIGNATURE OF APPROVAL

SIGNATURE: _____

PRINT NAME: _____

DATE: _____

MACROLINE 160 - FINISH ANO	#ALR-07-0813
NAME : ARTIS CAPITAL	
REF : _____	
DATE : 09 OCTOBER 2007	
DELTA LIGHT USA	Drawn by: IA
<small>3048 N. UNIVERSITY BLVD. #2 FORT LAUDERDALE, FL 33304 USA TEL: 954.877.8880 FAX: 954.877.8887 www.deltalight.us</small>	PAGE : 2/2

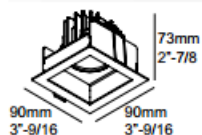


EXTERIOR LIGHTING

EXTERIOR CEILING RECESSED

EXT 592

   **Carree X LED**

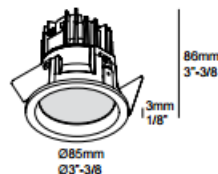


CARREE X LED 3033 S1 ◇
6 202 20 28122 ◇
 ◇ = A / N
 FIXED
 INCL. 1 x POWERLED WHITE [1] 7W / 3000K ●
 INCL. 1 x REFLECTOR FL-33°
 INCL. 1 x PC
 EXCL. LED POWER SUPPLY 350mA-DC

 IP20
 IP44

REQUIREMENTS / CLASS 2
 PLASTERKIT 161
 or
 IC HOUSING AIRTIGHT S
 or
 NON-IC PLASTERFRAME S
 LED POWER SUPPLY 350mA-DC / DIM

 **Diro GT LED**

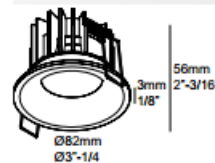


DIRO GT LED 3033 ◇
6 202 342 28122 ◇
 ◇ = A / W
 FIXED
 INCL. 1 x POWERLED WHITE [1] 7W
 EXCL. LED POWER SUPPLY 350mA-DC

 IP20
 IP44

REQUIREMENTS / STANDARD
 IC HOUSING AIRTIGHT S
 REQUIREMENTS / CLASS 2 & NON-IC
 PLASTERKIT 101
 or
 NON-IC PLASTERFRAME S
 LED POWER SUPPLY 350mA-DC / DIM

   **Reo X**



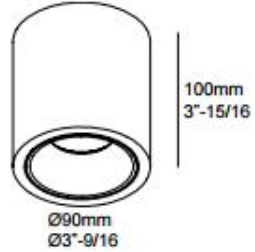
REO X 3033 S1 ◇
6 202 25 28122 ◇
 ◇ = A / W
 FIXED
 INCL. 1 x PC
 INCL. 1 x POWERLED WHITE [1] 7W / 3000K ●
 INCL. 1 x REFLECTOR FL-33°
 EXCL. LED POWER SUPPLY 350mA-DC

 IP20
 IP44

REQUIREMENTS / STANDARD
 IC HOUSING AIRTIGHT S
 REQUIREMENTS / CLASS 2 & NON-IC
 PLASTERKIT 101
 or
 NON-IC PLASTERFRAME S
 LED POWER SUPPLY 350mA-DC / DIM

BOXY R

EXT 609



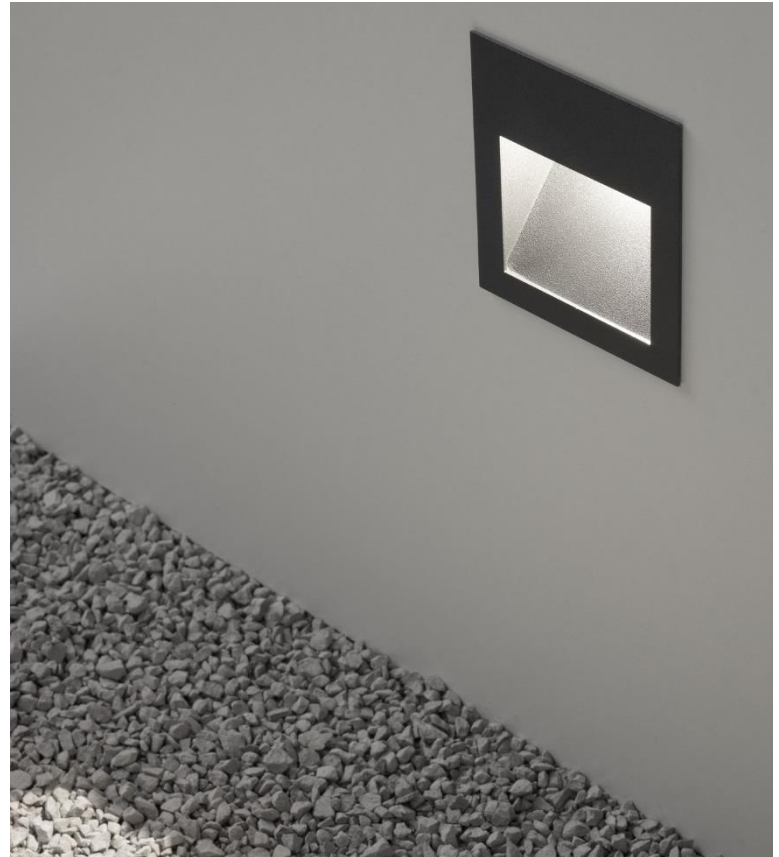
DIM8

	CRI > 80	CRI > 90
4000K	CONTACT FACTORY	
3000K	945lm (9.3W)	739lm (9.3W)
REFLECTOR FL-33°	BOXY R 83033 DIM8 ◇ 6 251 70 81832 ED8 ◇ ◇ = B-B / W-B / W-W	BOXY R 93033 DIM8 ◇ 6 251 70 81932 ED8 ◇ ◇ = B-B / W-B / W-W
2700K	893lm (9.3W)	698lm (9.3W)
REFLECTOR FL-33°	BOXY R 82733 DIM8 ◇ 6 251 70 81822 ED8 ◇ ◇ = B-B / W-B / W-W	BOXY R 92733 DIM8 ◇ 6 251 70 81922 ED8 ◇ ◇ = B-B / W-B / W-W

INCL. 1 x POWERLED WHITE 9.3W
 INCL. DIMMABLE LED POWER SUPPLY 500mA-DC
 MAINS DIMMING
 120V / 60Hz
 1.3 IP53
 REQUIREMENTS
 MUD KIT 2
 COVERPLATE R 117

HELI X SCREEN LED

EXT 627



MOMBA LED

EXT 651



MOMBA LED

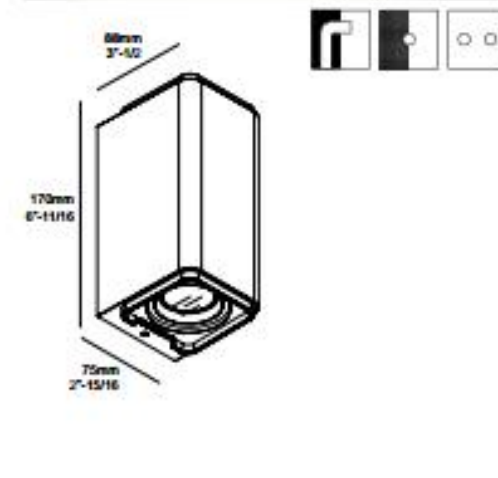
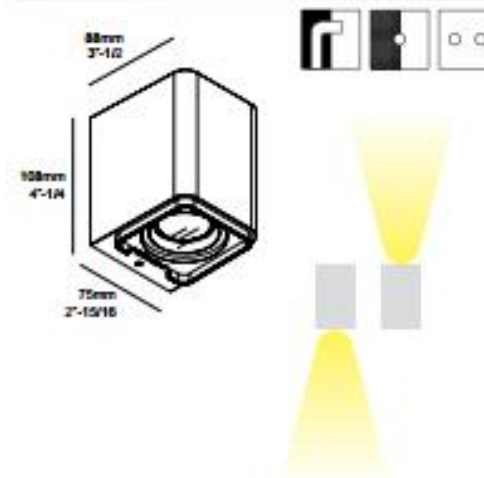
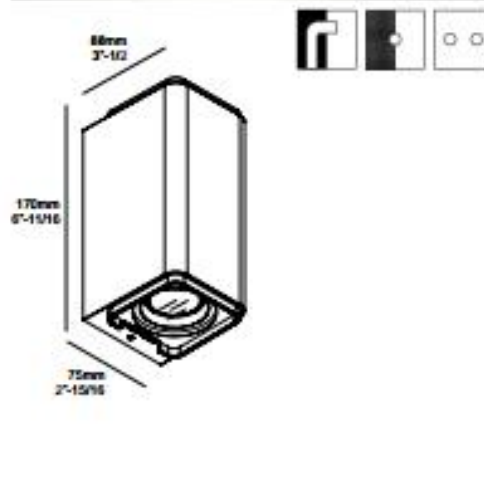
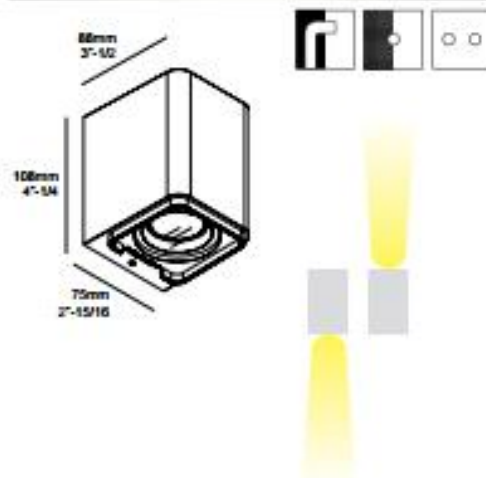
EXT 651



Momba LED SP



Momba LED



MOMBA LED SP WW ◇
6 225 20 18112 ◇
 ◇ = N
 INCL.1 x POWERLED WHITE 2.3W / 3000K
 INCL.1 x LENS 4°
 INCL.LED POWER SUPPLY 700mA-DC
 120V / 60Hz

2.0 IP65



MOMBA DOWN-UP LED SP WW ◇
6 225 20 18212 ◇
 ◇ = N
 INCL.2 x POWERLED WHITE 2.3W / 3000K
 INCL.2 x LENS 4°
 INCL.LED POWER SUPPLY 700mA-DC
 120V / 60Hz

2.9 IP65



MOMBA LED WW ◇
6 225 20 18102 ◇
 ◇ = A / N
 INCL.1 x POWERLED WHITE 6.2W / 3000K
 INCL.1 x LENS
 INCL.LED POWER SUPPLY 350mA-DC
 120V / 60Hz

2.0 IP65



MOMBA DOWN-UP LED WW ◇
6 225 20 18202 ◇
 ◇ = A / N
 INCL.2 x POWERLED WHITE 6.2W / 3000K
 INCL.2 x LENS
 INCL.LED POWER SUPPLY 350mA-DC
 120V / 60Hz

2.9 IP65

MOMBA LED

EXT 651



IP65



MOMBA DOWN-UP LED SP WW

MOMBA DOWN-UP LED WW

MOMBA LED SP WW ◇
6 225 20 18112 ◇
 ◇ = N
 INCL. 1 x POWERLED WHITE 2.3W / 3000K
 INCL. 1 x LENS 4°
 INCL. LED POWER SUPPLY 700mA-DC
 120V / 60Hz

2.0 IP65

MOMBA DOWN-UP LED SP WW ◇
6 225 20 18212 ◇
 ◇ = N
 INCL. 2 x POWERLED WHITE 2.3W / 3000K
 INCL. 2 x LENS 4°
 INCL. LED POWER SUPPLY 700mA-DC
 120V / 60Hz

2.9 IP65

MOMBA LED WW ◇
6 225 20 18102 ◇
 ◇ = A / N
 INCL. 1 x POWERLED WHITE 6.2W / 3000K
 INCL. 1 x LENS
 INCL. LED POWER SUPPLY 350mA-DC
 120V / 60Hz

2.0 IP65

Momba LED



IP65

MOMBA DOWN-UP LED WW ◇
6 225 20 18202 ◇
 ◇ = A / N
 INCL. 2 x POWERLED WHITE 6.2W / 3000K
 INCL. 2 x LENS
 INCL. LED POWER SUPPLY 350mA-DC
 120V / 60Hz

2.9 IP65

STIG

EXT 635 & 691



KIX

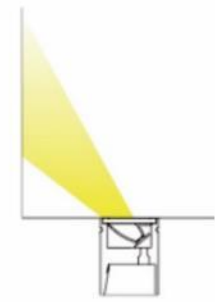
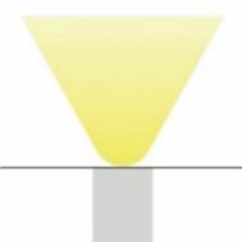
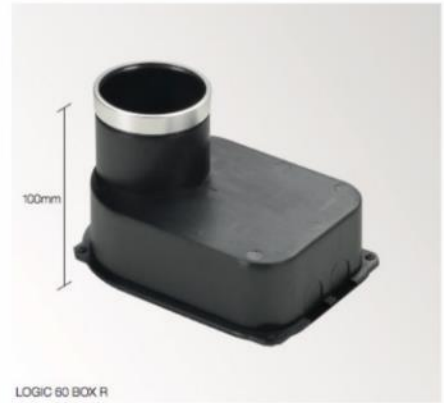
EXT 636-641 & 692-699





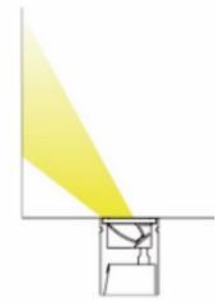
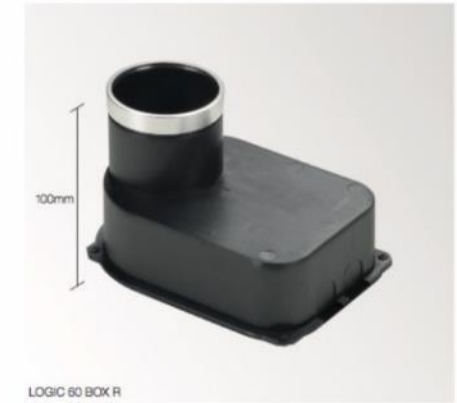
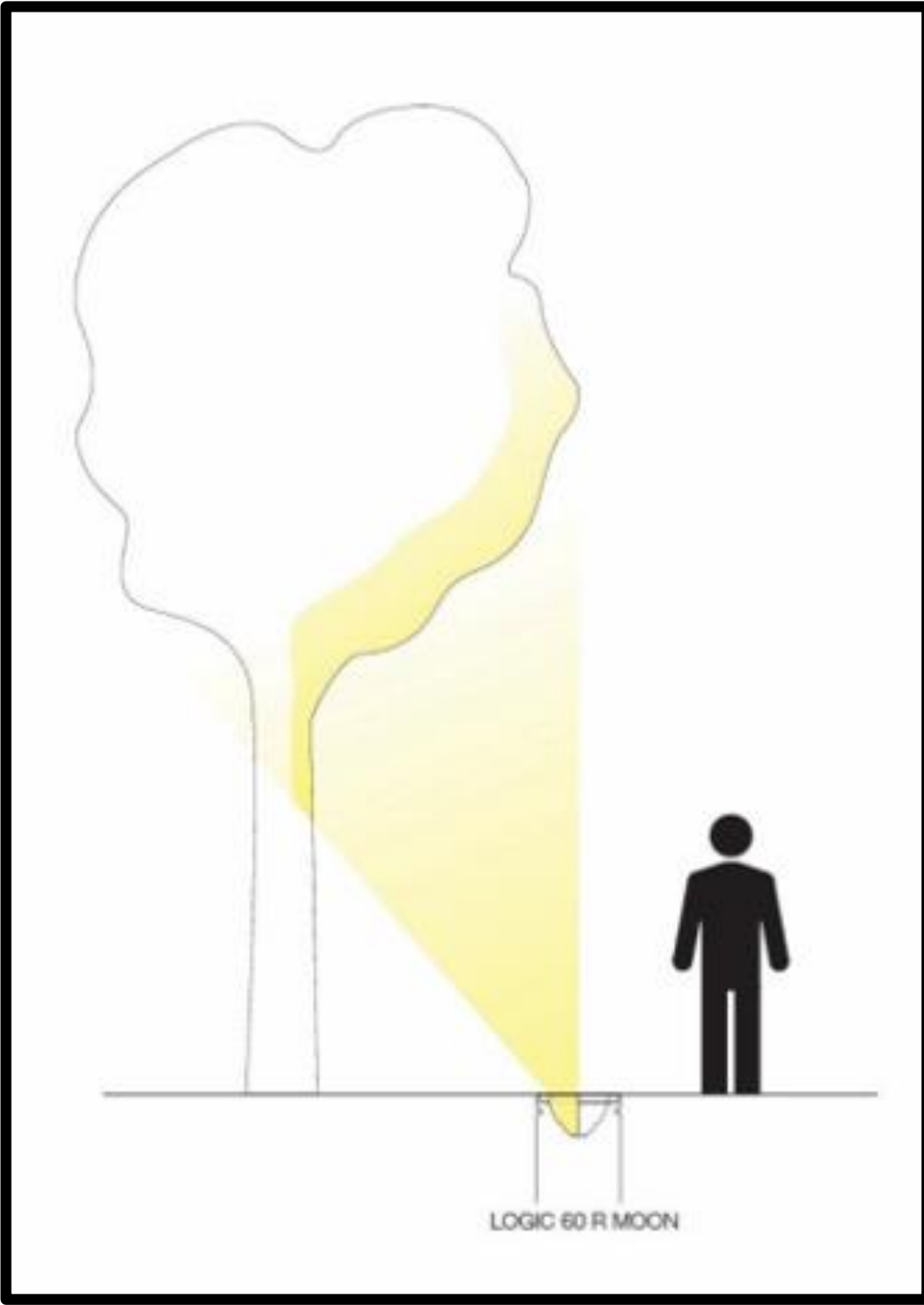
LOGIC

EXT 672-679



LOGIC

EXT 672-679







MONTUR

EXT 704-707



3000K
LED CLUSTER 7W / 2200K OFF
LED CLUSTER 4,2W / 3000K ON



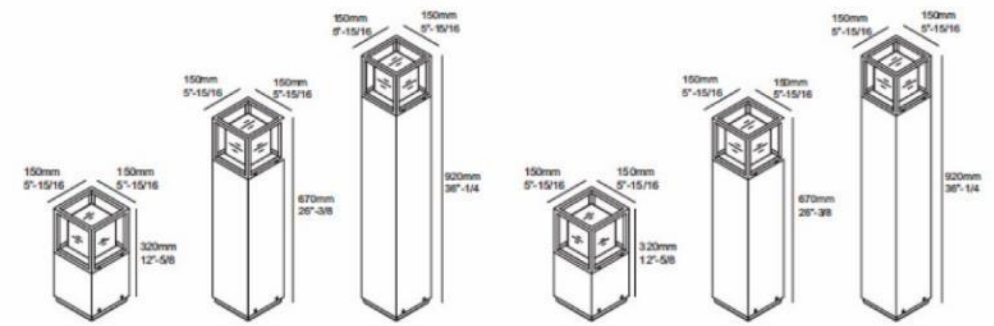
2530K
LED CLUSTER 7W / 2200K ON
LED CLUSTER 4,2W / 3000K ON



2200K
LED CLUSTER 7W / 2200K ON
LED CLUSTER 4,2W / 3000K OFF



Montur S P



12"-5/8	MONTUR S P 30 LED ◊	7.3	12"-5/8	MONTUR S P 30 LED TW ◊	7.3
	6 232 432 83 ◊			6 232 432 99 ◊	
26"-3/8	MONTUR S P 65 LED ◊	11.0	26"-3/8	MONTUR S P 65 LED TW ◊	11.0
	6 232 472 83 ◊			6 232 472 99 ◊	
36"-1/4	MONTUR S P 90 LED ◊	14.1	36"-1/4	MONTUR S P 90 LED TW ◊	14.1
	6 232 492 83 ◊			6 232 492 99 ◊	
	◊ = A / B			◊ = A / B	
	INCL LED CLUSTER 7W / 3000K ●			INCL LED CLUSTER 7W / 2200K ●	
	INCL 1 x GLASS OPAL			INCL LED CLUSTER 4.2W / 3000K ●	
	INCL 1 x CABLE 3 x 18 AWG 5'			INCL 1 x GLASS OPAL	
	INCL LED POWER SUPPLY 350mA-DC			INCL 2 x CABLE 3 x 18 AWG 5'	
	120V / 60Hz			INCL 2 x LED POWER SUPPLY 350mA-DC	
	IP54			120V / 60Hz	
	OPTIONS			CABLING 2 CIRCUITS	
	PLATE 3			IP54	
	JUNCTION BOX			OPTIONS	
	IP67 CONNECTOR 3P			PLATE 3	
				JUNCTION BOX	
				IP67 CONNECTOR 3P	

CRi>80 505lm (7W)

CRi>80 480lm (7W - 2200K)
CRi>80 560lm (4.2W - 3000K)

MONTUR

EXT 704-707

new



Montur M P

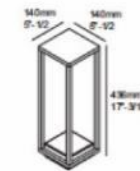
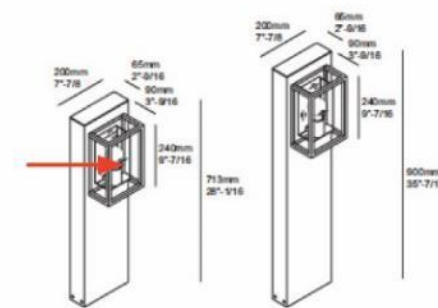
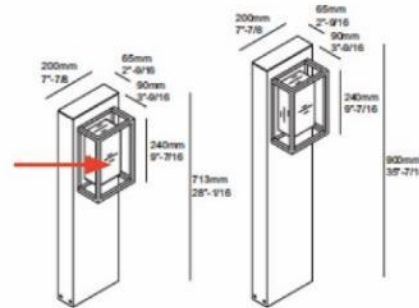


new



Montur L P1

Class 2



led

- 28"-1/16 **MONTUR M P 70 LED** ◊ 6 232 572 83 ◊
- 35"-7/16 **MONTUR M P 90 LED** ◊ 6 232 592 83 ◊
- ◊ = A / B
- INCL LED CLUSTER 6.7W / 3000K
- INCL 1 x GLASS OPAL
- INCL LED POWER SUPPLY 350mA-DC 120V / 60Hz
- IP54
- OPTIONS
- PLATE 8
- PIN 13
- JUNCTION BOX
- IP67 CONNECTOR 3P

12.3

15.8

- 28"-1/16 **MONTUR M P 70 E27** ◊ 6 232 573 00 ◊
- 35"-7/16 **MONTUR M P 90 E27** ◊ 6 232 593 00 ◊
- ◊ = A / B
- INCL 1 x GLASS CLEAR
- E26 MEDIUM / 120V / 60Hz
- 1 x A19 max.40W
- IP54
- OPTIONS
- PLATE 8
- PIN 13
- JUNCTION BOX
- IP67 CONNECTOR 3P
- LED SOLUTION - PAG TEC 4

12.1

15.6

- MONTUR L P1 45 LED** ◊ 6 232 659 83 1 ◊
- ◊ = A / B
- INCL LED CLUSTER 13.3W / 3000K
- EXCL LED POWER SUPPLY 48V-DC
- CLASS 2 CIRCUITS ONLY
- IP54
- OPTIONS
- PLATE 3
- JUNCTION BOX
- IP67 CONNECTOR 3P
- LED POWER SUPPLY 48V-DC

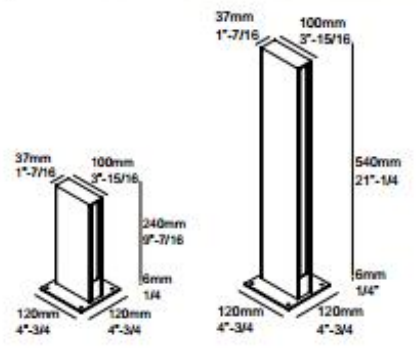
3.5

BOTANIC

EXT 713



 Botanic



- 240 mm **BOTANIC 24** ◇ 4.2
6 317 12 22 ◇
 INCL.2 x LEDSTRIP WHITE 1.25W / 3000K ●
 - 540 mm **BOTANIC 54** ◇ 7.9
6 317 15 22 ◇
 INCL.2 x LEDSTRIP WHITE 3W / 3000K ●
- ◇ = A / G
 INCL.2 x PC SBL
 INCL.1 x CABLE 3 x 18 AWG 5'
 INCL.LED POWER SUPPLY 24V-DC
 120V / 60Hz
- IP55
- OPTIONS
 PIN 14
 JUNCTION BOX
 IP67 CONNECTOR 3P

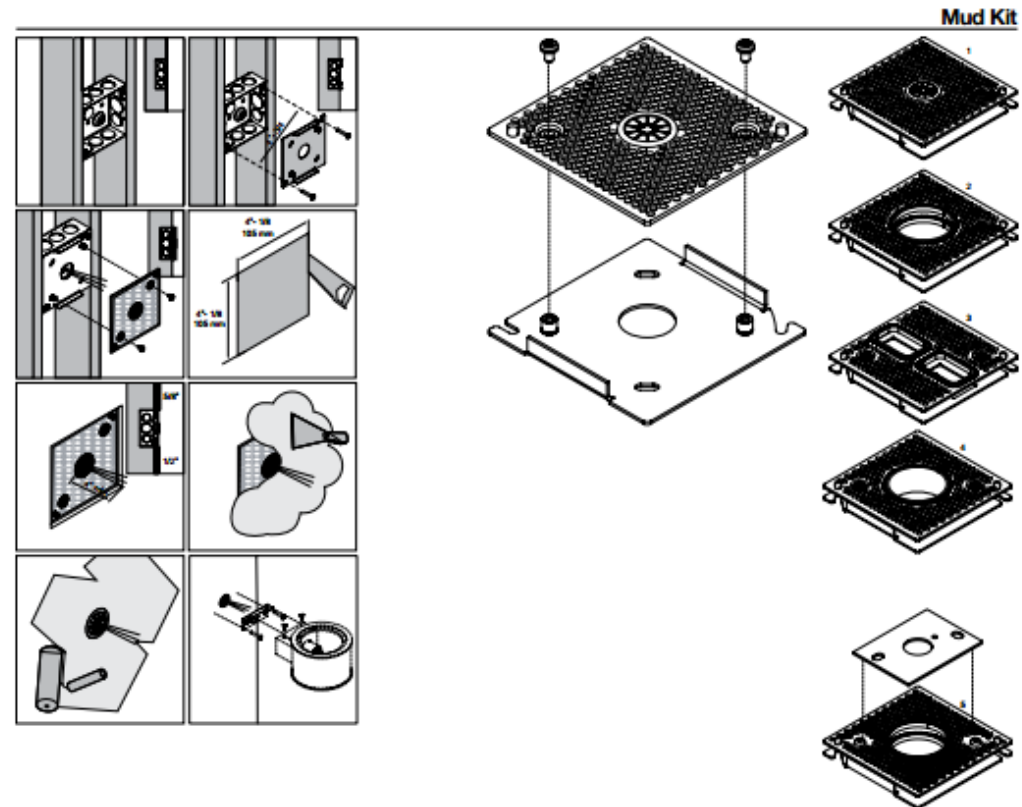
TECHNICAL INFO

BACK OF THE CATALOG IN THE 'TEC' SECTION

MUD KIT

TEC 24

TECHNICAL INFO



Reference	Mud Kit	Kit Dimensions X x Y x Z		Wall / Ceiling Cut Out		Wall / Ceiling
		Inch	mm	Inch	mm	
6 207 02 01	MUD KIT 1	4'-1/16 x 4'-1/16 x 1/2"	103 x 103	4'-1/8 x 4'-1/8	105 x 105	1/2"-to 5/8"
6 207 02 02	MUD KIT 2	4'-1/16 x 4'-1/16 x 1/2"	103 x 103	4'-1/8 x 4'-1/8	105 x 105	1/2"-to 5/8"
6 207 02 03	MUD KIT 3	4'-1/16 x 4'-1/16 x 1/2"	103 x 103	4'-1/8 x 4'-1/8	105 x 105	1/2"-to 5/8"
6 207 02 04	MUD KIT 4	4'-1/16 x 4'-1/16 x 1/2"	103 x 103	4'-1/8 x 4'-1/8	105 x 105	1/2"-to 5/8"
6 207 02 05	MUD KIT 5	4'-1/16 x 4'-1/16 x 1/2"	103 x 103	4'-1/8 x 4'-1/8	105 x 105	1/2"-to 5/8"
6 207 02 05 A	MUD KIT 5 A	4'-1/16 x 4'-1/16 x 1/2"	103 x 103	4'-1/8 x 4'-1/8	105 x 105	1/2"-to 5/8"

tech











ACCESSORIES

TEC 29

ACCESSORIES



Light Beam Accessories

ACCESSORY					
	HONEYCOMB	LINEAR SPREAD LENS	SPREAD LENS	SOFTENING LENS	GLASS SBL
LIGHT BEAM					
Ø1"-1/4	MINI RED HONEYCOMB ◊ 415 03 01 ◊ ◊ = B / W			MINI RED SOFTENING LENS ◊ 415 03 04 ◊ ◊ = B / W	MINI RED GLASS SBL ◊ 415 03 05 ◊ ◊ = B / W
Ø1"-9/16	HONEYCOMB 40 ◊ 201 03 01 ◊ ◊ = ALU / B	LINEAR SPREAD LENS 40 201 03 02	SPREAD LENS 40 201 03 03	SOFTENING LENS 40 201 03 04	GLASS SBL 40 201 03 05
	BOXY HONEYCOMB ◊ 251 70 03 01 ◊ ◊ = B / W			BOXY SOFTENING LENS ◊ 251 70 03 04 ◊ ◊ = B / W	BOXY GLASS SBL ◊ 251 70 03 05 ◊ ◊ = B / W
Ø2"	IMAX HONEYCOMB ◊ 400 03 01 ◊ ◊ = B	IMAX LINEAR SPREAD LENS 400 03 02	IMAX SPREAD LENS 400 03 03	IMAX SOFTENING LENS 400 03 04	IMAX GLASS SBL 400 03 05
	HONEYCOMB 50 ◊ 413 03 01 ◊ ◊ = B	LINEAR SPREAD LENS 50 413 03 02	SPREAD LENS 50 413 03 03	SOFTENING LENS 50 413 03 04	GLASS SBL 50 413 03 05
Ø2"-3/4	HONEYCOMB 70 ◊ 201 04 01 ◊ ◊ = B	LINEAR SPREAD LENS 70 201 04 02	SPREAD LENS 70 201 04 03	SOFTENING LENS 70 201 04 04	GLASS SBL 70 201 04 05
	HONEYCOMB KIX ◊ 232 10 03 ◊ ◊ = N				
Ø3"-1/16	HONEYCOMB 78 ◊ 201 02 01 ◊ ◊ = B			SOFTENING LENS 78 201 02 04	GLASS SBL 78 201 02 05
Ø3"-7/16	HONEYCOMB 87 ◊ 201 01 01 ◊ ◊ = B	LINEAR SPREAD LENS 87 201 01 02	SPREAD LENS 87 201 01 03	SOFTENING LENS 87 201 01 04	GLASS SBL 87 201 01 05

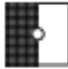




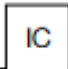


03

Find out what products these accessories can be used with, by adding its reference number without color to our website URL to visit the detail page: for example: www.deltalight.ca/2010301

tech





LEGEND

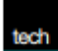
TEC 32


	MUD KIT
	BACKPLATE
	1/2" EMT READY
	4" J-BOX
	2"- 4" J-BOX
	IC HOUSING
	NIC HOUSING
	ADA COMPLAINT

TECHNICAL INFO

Legenda

				
◇	KLEUR	COULEUR	COLOR	COLOR
A	ALU GRIS	ALU GRIS	ALU GRAY	ALU GRIS
AND	ALUMINIUM	ALUMINIUM	ALUMINIUM	ALUMINIUM
B	GRANDISSIMO ALU	ALU PROCESE	ALU PROCESED	ALU PROCECIDO
C	ZWART RAL 9005	NOR RAL 9005	BLACK RAL 9005	NEGRO RAL 9005
D	CHROME	CHROME	CHROME	CRÓMADO
E	GRIS SPIN	GRIS SPIN	GRAY SPINNY / GREY SPINNY	GRIS SPINNY
INDX	INDUSTRIEL STAAL	ACIER INDUSTRIELLE	INDUSTRIAL STEEL	ACERO INDUSTRIALE
N	VERGOLD	GOLD	GOLD	ORO
N	DONKERGRIS	GRIS FONCE	DARK GRAY / DARK GREY	GRIS OSCURO
MMBT	VERGOLD-INT	LATION DEPUI	GOLD MATE	ORO MATE
PRM	GRONDLAND	APPRET	PRIMER	PINTURA DE FONDO
RAL	KLEUR RAL	COLOR RAL	COLOR RAL	COLOR RAL
W	WIT RAL 9003	BLANC RAL 9003	WHITE RAL 9003	BLANCO RAL 9003
CONSTRUCTION	NEW CONSTRUCTION	NEW CONSTRUCTION	NEW CONSTRUCTION	CONSTRUCCION
REMOVAL	REMOVAL	REMOVAL	REMOVAL	REMOCCION
HERACTIC	HERACTIC	HERACTIC	HERACTIC	HERACTICO
CLASS2	CLASS2	CLASS2	CLASS2	CLASSE2
MUD KIT	MUD KIT	MUD KIT	MUD KIT	MUD KIT
BACKPLATE	BACKPLATE	BACKPLATE	BACKPLATE	BACKPLATE
CONDUCTO DE METAL FLEXIBLE	CONDUCTO DE METAL FLEXIBLE	CONDUCTO DE METAL FLEXIBLE	CONDUCTO DE METAL FLEXIBLE	CONDUCTO DE METAL FLEXIBLE
CAJA ELECTRICA DE 4"	CAJA ELECTRICA DE 4"	CAJA ELECTRICA DE 4"	CAJA ELECTRICA DE 4"	CAJA ELECTRICA DE 4"
CAJA ELECTRICA DE 2"- 4"	CAJA ELECTRICA DE 2"- 4"	CAJA ELECTRICA DE 2"- 4"	CAJA ELECTRICA DE 2"- 4"	CAJA ELECTRICA DE 2"- 4"
CAJA PARA TECHO INSULADO	CAJA PARA TECHO INSULADO	CAJA PARA TECHO INSULADO	CAJA PARA TECHO INSULADO	CAJA PARA TECHO INSULADO
CAJA PARA TECHO NO INSULADO	CAJA PARA TECHO NO INSULADO	CAJA PARA TECHO NO INSULADO	CAJA PARA TECHO NO INSULADO	CAJA PARA TECHO NO INSULADO
QUIPIL CON ADA STANDARDS	QUIPIL CON ADA STANDARDS	QUIPIL CON ADA STANDARDS	QUIPIL CON ADA STANDARDS	QUIPIL CON ADA STANDARDS
PESO NETO EN LIBRAS	PESO NETO EN LIBRAS	PESO NETO EN LIBRAS	PESO NETO EN LIBRAS	PESO NETO EN LIBRAS
CLASE DE PROTECCION	CLASE DE PROTECCION	CLASE DE PROTECCION	CLASE DE PROTECCION	CLASE DE PROTECCION
ABERTURA RECTANGULAR LARGO + ANCHO + DISTANCIA MINIMA DE EMPOTRAMIENTO	ABERTURA RECTANGULAR LARGO + ANCHO + DISTANCIA MINIMA DE EMPOTRAMIENTO	ABERTURA RECTANGULAR LARGO + ANCHO + DISTANCIA MINIMA DE EMPOTRAMIENTO	ABERTURA RECTANGULAR LARGO + ANCHO + DISTANCIA MINIMA DE EMPOTRAMIENTO	ABERTURA RECTANGULAR LARGO + ANCHO + DISTANCIA MINIMA DE EMPOTRAMIENTO
ESPESOR MINIMO DE LA SUPERFICIE DE MONTAJE	ESPESOR MINIMO DE LA SUPERFICIE DE MONTAJE	ESPESOR MINIMO DE LA SUPERFICIE DE MONTAJE	ESPESOR MINIMO DE LA SUPERFICIE DE MONTAJE	ESPESOR MINIMO DE LA SUPERFICIE DE MONTAJE
MONTAJE SUELO - PARED-TECHO MONTADO AL SUPERFICIE	MONTAJE SUELO - PARED-TECHO MONTADO AL SUPERFICIE	MONTAJE SUELO - PARED-TECHO MONTADO AL SUPERFICIE	MONTAJE SUELO - PARED-TECHO MONTADO AL SUPERFICIE	MONTAJE SUELO - PARED-TECHO MONTADO AL SUPERFICIE
MONTAJE SUELO - PARED-TECHO SUSPENDIDO	MONTAJE SUELO - PARED-TECHO SUSPENDIDO	MONTAJE SUELO - PARED-TECHO SUSPENDIDO	MONTAJE SUELO - PARED-TECHO SUSPENDIDO	MONTAJE SUELO - PARED-TECHO SUSPENDIDO
APTO PARA USO INTERIOR Y EXTERIOR	APTO PARA USO INTERIOR Y EXTERIOR	APTO PARA USO INTERIOR Y EXTERIOR	APTO PARA USO INTERIOR Y EXTERIOR	APTO PARA USO INTERIOR Y EXTERIOR
MUELES PARA USAR EN PUEBLOS ESCUELAS BIENHECHER PLAZAS	MUELES PARA USAR EN PUEBLOS ESCUELAS BIENHECHER PLAZAS	MUELES PARA USAR EN PUEBLOS ESCUELAS BIENHECHER PLAZAS	MUELES PARA USAR EN PUEBLOS ESCUELAS BIENHECHER PLAZAS	MUELES PARA USAR EN PUEBLOS ESCUELAS BIENHECHER PLAZAS
REFLECTOR DE BAJA LUMINANCIA	REFLECTOR DE BAJA LUMINANCIA	REFLECTOR DE BAJA LUMINANCIA	REFLECTOR DE BAJA LUMINANCIA	REFLECTOR DE BAJA LUMINANCIA
TRANSFORMADOR ELECTRONICO	TRANSFORMADOR ELECTRONICO	TRANSFORMADOR ELECTRONICO	TRANSFORMADOR ELECTRONICO	TRANSFORMADOR ELECTRONICO
EXD. TRANSFORMADOR	EXD. TRANSFORMADOR	EXD. TRANSFORMADOR	EXD. TRANSFORMADOR	EXD. TRANSFORMADOR
BALASTRO ELECTRONICO	BALASTRO ELECTRONICO	BALASTRO ELECTRONICO	BALASTRO ELECTRONICO	BALASTRO ELECTRONICO
BALASTRO ELECTRONICO REGULABLE	BALASTRO ELECTRONICO REGULABLE	BALASTRO ELECTRONICO REGULABLE	BALASTRO ELECTRONICO REGULABLE	BALASTRO ELECTRONICO REGULABLE
SATINADO	SATINADO	SATINADO	SATINADO	SATINADO
CRISTAL DE SEGURIDAD	CRISTAL DE SEGURIDAD	CRISTAL DE SEGURIDAD	CRISTAL DE SEGURIDAD	CRISTAL DE SEGURIDAD
TOLERANCIA SEGUN LAS NORMAS DIN	TOLERANCIA SEGUN LAS NORMAS DIN	TOLERANCIA SEGUN LAS NORMAS DIN	TOLERANCIA SEGUN LAS NORMAS DIN	TOLERANCIA SEGUN LAS NORMAS DIN
TOLERANCIA EXTRUSION	TOLERANCIA EXTRUSION	TOLERANCIA EXTRUSION	TOLERANCIA EXTRUSION	TOLERANCIA EXTRUSION
TOLERANCIA INDOXADO	TOLERANCIA INDOXADO	TOLERANCIA INDOXADO	TOLERANCIA INDOXADO	TOLERANCIA INDOXADO
TOLERANCIA LACA	TOLERANCIA LACA	TOLERANCIA LACA	TOLERANCIA LACA	TOLERANCIA LACA
DESIGNO REGISTRADO	DESIGNO REGISTRADO	DESIGNO REGISTRADO	DESIGNO REGISTRADO	DESIGNO REGISTRADO
FUENTE LED	FUENTE LED	FUENTE LED	FUENTE LED	FUENTE LED
APTA PARA USO EN LOCACIONES HUMIDAS (*)	APTA PARA USO EN LOCACIONES HUMIDAS (*)	APTA PARA USO EN LOCACIONES HUMIDAS (*)	APTA PARA USO EN LOCACIONES HUMIDAS (*)	APTA PARA USO EN LOCACIONES HUMIDAS (*)





(*) CHECK COMPLIANCE WITH LOCAL REGULATIONS. PRODUCTS MANUFACTURED ACCORDING TO DIN EN 60598-1 AND THE APPLICABLE SECTION OF IEC 60598-1

detailLight.us - detailLight.us TEC 35

deltalight.com